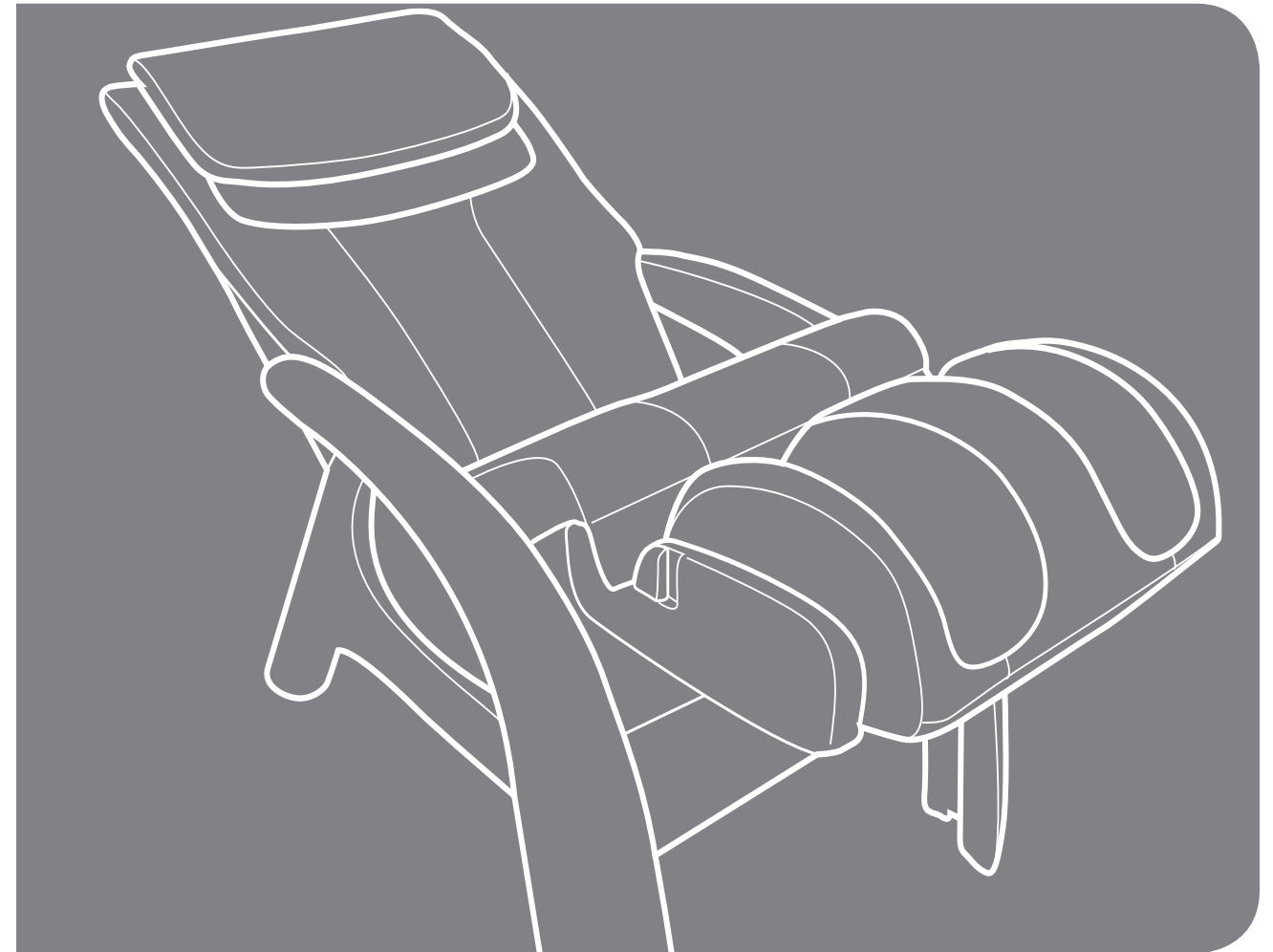


Human Touch® ZeroG® Volito



humantouch.com
800.355.2762

©2016 Human Touch®, LLC. Patents pending and intellectual property rights enforced.
No medical claims are warranted or implied by the use of this product.
Human Touch is a trademark of Human Touch®, LLC.
Volito -NA-A0



use & care manual
Human Touch® ZeroG® Volito

Register your product **ONLINE** today

www.humantouch.com/register

Register your product **ONLINE** today

www.humantouch.com/register

ENG

use & care manual

FRC

mode d'emploi et d'entretien

ESN

manual de uso y cuidado



Developed in cooperation with the medical community and industry experts, Human Touch products blend patented technology, craftsmanship and intelligent ergonomics with superior design that help users feel, perform, and live their best. Our industry leading massage chairs, Perfect Chair® recliners and evolving set of innovative wellness solutions share attributes in their ease-of-use, attention to performance and quality, and design to adapt to most any lifestyle. These attributes are highly valued by our customers and garner broad industry award and recognition.

With a proven history of successful innovation and an unwavering commitment to reinventing immersive wellness solutions for **over 35 years**, Human Touch is passionate about helping others realize **life-changing benefits** through our unique products and services. As a result, Human Touch empowers people to enjoy greater health and vitality in their professions, pursuits and everyday lives.

humantouch.com

Proudly endorsed by:



Register your product at www.humantouch.com to ensure your product is in our system to simplify the warranty process should you ever need it.

Human Touch® ZeroG® Volito

welcome to **human touch**®

The **Human Touch Volito massage chair** provides a remarkable full-body massage using Human Touch Technology® specifically designed to enhance the way you feel. The FlexGlide® massage engine simulates the expert techniques of massage professionals, leaving you relaxed, your body restored, and ready to live life to its fullest. Take a seat, recline to zero-gravity, and just enjoy the targeted benefits that will provide relief for your tired, tight and stressed muscles. Your Human Touch massage chair is the perfect bridge between state-of-the-art technology and the ancient healing art of massage. Enjoy an impressive selection of features bundled into the most modern massage chair designed for any luxury living space. It's a key ingredient for a balanced life—and it's right in your own home!

To ensure that you don't overlook any of your chair's features, and that you use it safely, read this manual carefully. Then sit back, relax, and enjoy!

keep it safe

IMPORTANT SAFETY INSTRUCTIONS

When using an electrical appliance, basic precautions should always be followed, including the following:

Read all instructions before using this appliance.



DANGER: To reduce the risk of electrical shock

Always unplug this product from the electrical outlet immediately after using and before cleaning.



WARNING: To reduce the risk of burns, fire, electric shock or injury to persons:

- Do not put hands or fingers near the massage mechanism or rollers while this product is running. Touching the mechanism can result in injury from the rollers squeezing together.
- If the supply cord is damaged, it must be replaced by the manufacturer or its service agent or a similarly qualified person in order to avoid a hazard.
- An appliance should never be left unattended when plugged in. Unplug from outlet when not in use, and before putting on or taking off parts.
- Do not operate under blanket or pillow. Excessive heating can occur and cause fire, electric shock, or injury to persons.
- Close supervision is necessary when this product is used by, on, or near children, invalids, or disabled persons. Keep children away from extended foot support (or other similar parts).
- Use this product only for its intended use as described in this manual. Do not use attachments not recommended by the manufacturer.
- Never operate this product if it has a damaged cord or plug, if it is not working properly, if it has been dropped or damaged, or dropped into water. Return this product to a service center for examination and repair.
- Do not carry this appliance by supply cord or use cord as a handle.
- Always keep the power cord away from heated surfaces.
- Never operate this product with the air openings blocked. Keep the air openings free of lint, hair, and the like.
- Never drop or insert any object into any opening.
- Do not use outdoors.
- Do not operate where aerosol (spray) products are being used or where oxygen is being administered.
- To disconnect, turn all controls to the OFF position, then remove plug from outlet.
- Do not massage any area of the body that is swollen, inflamed or covered with skin eruptions.
- Do not use on unexplained calf pain.
- Do not use this product when standing on a damp floor, or when any part of the body is in contact with plumbing or any similar ground.
- Connect this appliance to a properly grounded outlet only. See GROUNDING INSTRUCTIONS.
- Use heated surfaces carefully. May cause serious burns. Do not use over sensitive skin area or in the presence or poor circulation. The unattended use of heat by children or incapacitated persons may be dangerous.
- Do not use this product if noise above normal sound is heard.
- Do not stand on or in appliance. Use only while seated.
- This appliance is not intended for use by persons (including children) with reduced physical, sensory or mental capabilities, or lack of experience and knowledge, unless they have been given supervision or instruction concerning use of the appliance by a person responsible for their safety. Children should be supervised to ensure that they do not play with the appliance.
- Anyone with a medical condition, including those who are or may be pregnant, should consult a physician before using any massage product.

Safety Precautions

- Comfortable clothing is recommended while using this product.
- This product was meant to be used in a relaxed position. Never force any body part into the backrest area while the rollers are moving.
- If you feel any abnormal discomfort during the operation of this product, turn off the power immediately and do not use the product. Consult your physician.
- Do not sit on the controller.
- Do not pull on the AC cord.
- When using this product after it has been in storage, check to see that the product is operating properly prior to use.
- Always confirm that there are no obstacles behind the product and that there is sufficient space to recline.

SAVE THESE INSTRUCTIONS

Do not attempt to repair this product yourself.

This product is designed for personal in-home use. Commercial use will void warranty.

Grounding Instructions:

This product must be grounded. If it should malfunction or breakdown, grounding provides a path of least resistance for electrical current to reduce the risk of electric shock. This product is equipped with a cord having an equipment-grounding conductor and a grounding plug. The plug must be plugged into an appropriate outlet that is properly installed and grounded in accordance with all local codes and ordinances.

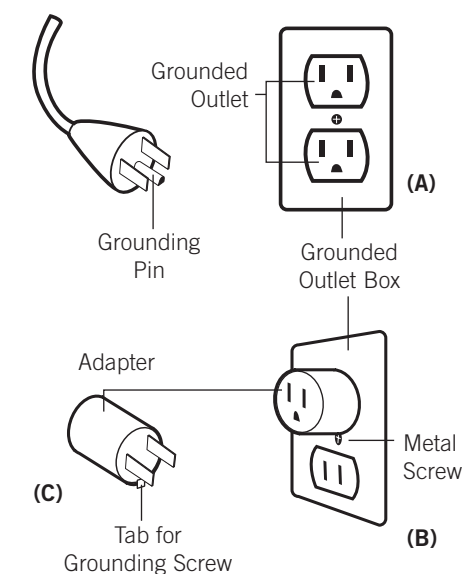


DANGER: Improper connection of the equipment-grounding conductor can result in a risk of electronic shock. Check with a qualified electrician or serviceman if you are in doubt as to whether this product is properly grounded. Do not modify the plug provided with the product – if it will not fit the outlet, have a proper outlet installed by a qualified electrician.

This product is for use on a nominal 120-volt circuit and has a grounding plug that looks like the plug illustrated in sketch (A). A temporary adapter that looks like the adapter used in sketches (B) and (C) may be used to connect this plug to a 2-pole receptacle as shown in sketch (B), if a properly grounded plug is not available. The temporary adapter should be used only until a properly grounded outlet (sketch A) can be installed by a qualified electrician. The green colored, rigid ear tab or the like extending from the adapter must be connected to a permanent ground such as a properly grounded outlet box cover. Whenever the adapter is used, it must be held in place by a metal screw.

For all grounded cord-connected products:

Grounding methods:



The use of a temporary adaptor is not permitted in Canada.

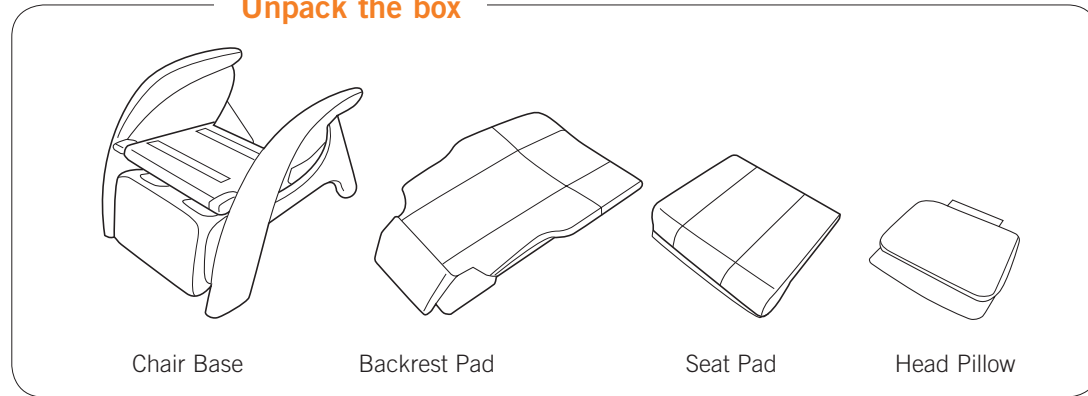


WARNING: This product is equipped with a thermal resetting protection device. This is an added safety feature to protect you and this product from overheating. If the product should suddenly stop and will not start, turn the main power switch, located on the back of the product, off and do not operate the product for at least 30 minutes. Failure to turn the product off may result in the product starting unexpectedly when the device cools.

get ready

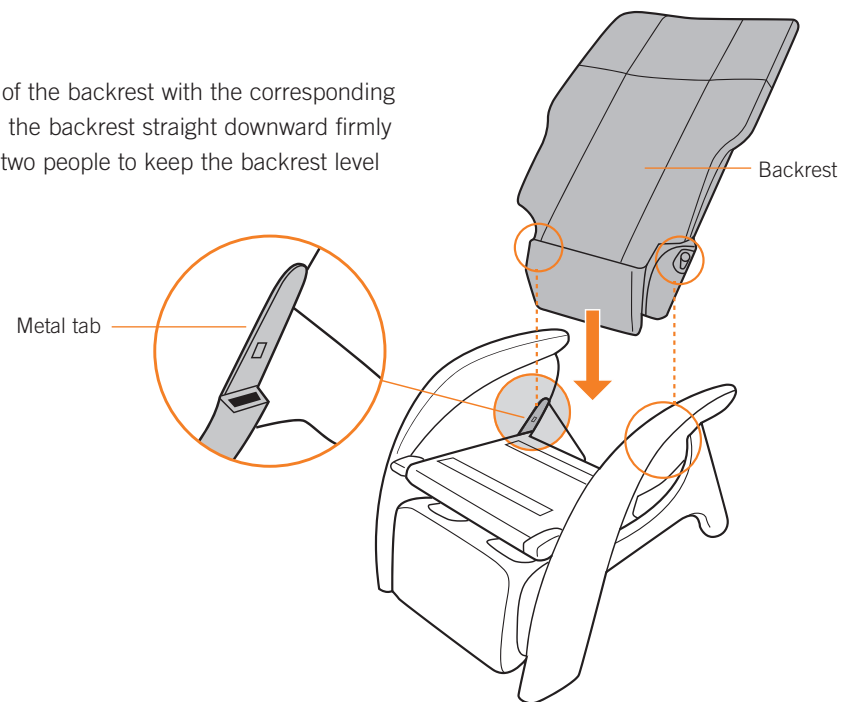
Setting up your Human Touch Massage Chair is easy. Just attach the backrest pad and the head pillow, and you're done!

Unpack the box



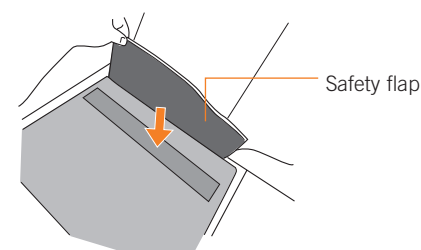
1. Install the backrest.

1. Align the metal tabs on each side of the backrest with the corresponding slots on the chair base, then push the backrest straight downward firmly until it clicks into place. **TIP:** Use two people to keep the backrest level during installation.



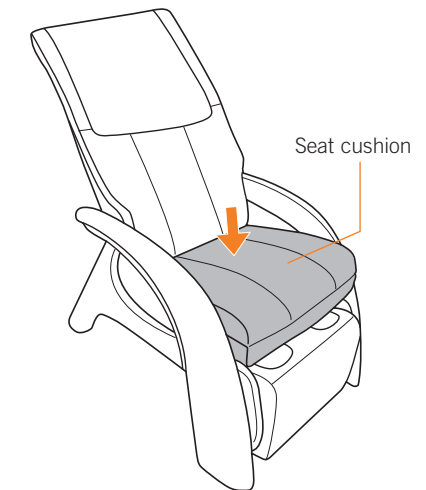
2. Pull upward on the backrest to ensure that it is locked into place.
3. Locate the black safety flap on the bottom of the backrest, then attach it to the seat canvas using the hook-and-loop fasteners.

IMPORTANT: Be sure to complete this step, as the safety flap protects against fingers getting pinched.



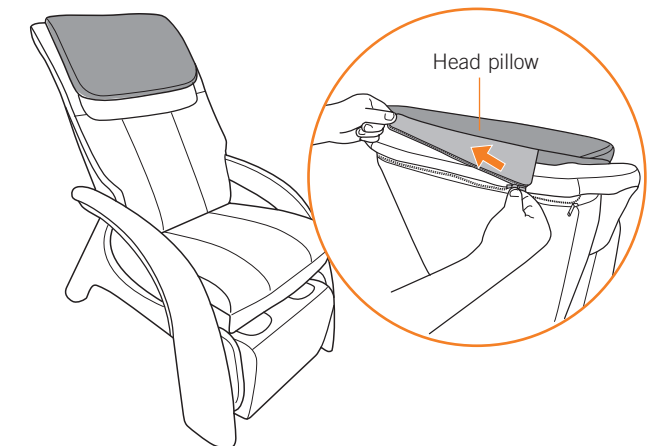
2. Install the seat cushion.

Place the seat cushion into position against the backrest, then push down firmly to secure it using the hook-and-loop fasteners.



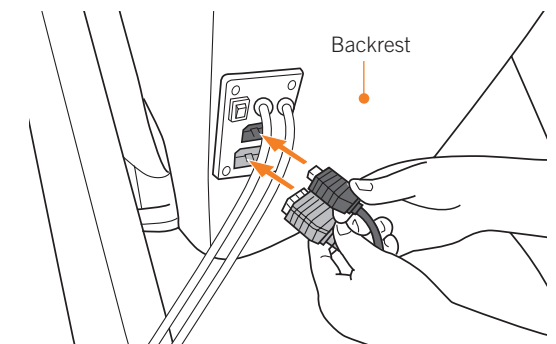
3. Install the head pillow.

Zip the head pillow to the backrest.



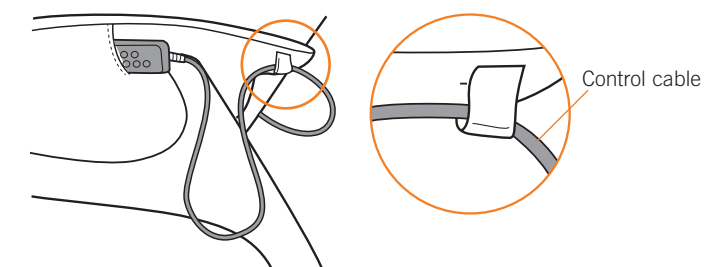
4. Connect the cables.

Connect each of the two cables from the chair base to the corresponding connectors on the backrest.



5. Secure the remote control cable

Thread the remote control cable through the cable guide, to keep it from getting caught when the chair reclines/inclines.



take a seat

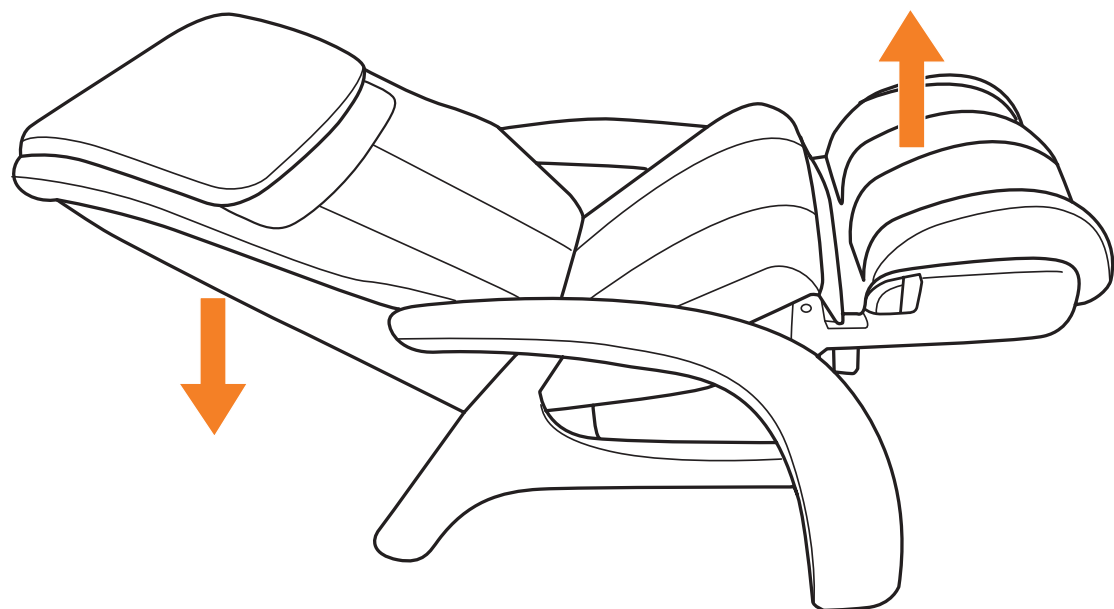
1. Power on.


Plug the power cord into a grounded power source. Turn the master power switch (on the back of the chair) to On.



2. Recline the backrest and raise the legrest.

Use the back and legs buttons to position the chair for maximum comfort.



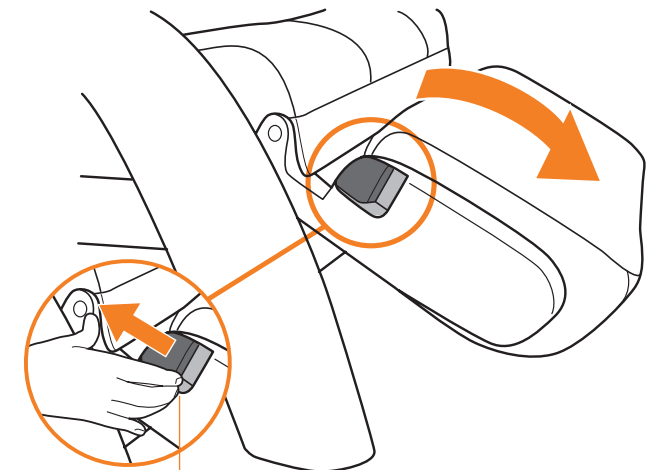
 Do not inhibit the backrest or footrest from power reclining or inclining. Do not attempt to manually recline or incline the backrest or footrest. Interfering with the power recline will permanently damage the chair.

Using your Human Touch massage chair is easy. Just take a seat and recline to the desired position. Your Human Touch massage chair helps you feel better, using zero-gravity positioning and a variety of massage techniques that you control. It's the perfect way to relax and refresh.

FOR A FOOT-AND-CALF MASSAGE

1. Deploy the foot and calf massager.

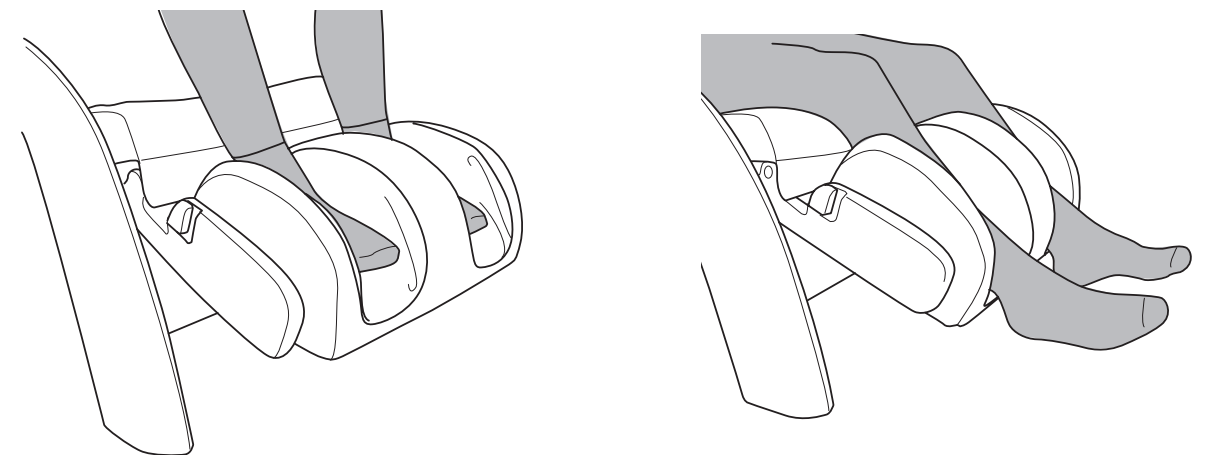
While sitting in the chair, use the **legs up** button on the controller to deploy the footrest. To use the foot-and-calf massager, pull the footrest rotation release handle (located on the right-hand side of the footrest) toward you, then rotate the footrest away from you until it clicks into position with the calf massager facing up. Do not force the rotation of the footrest past the point at which it clicks to lock. Excess force may damage the mechanism.



Release handle

 **Do not stand or sit on the foot-and-calf massager.**

2. Insert your feet or calves.



For an easier exit, restore the footrest and backrest to their original locations before getting out of the chair.

take control

Now choose a massage technique. Your Human Touch massage chair lets you customize your massage using a variety of massage modes. Use the Range button to tailor your vertical massage range, or use the Position buttons to target your massage to a specific area. Or, let the chair take control—just select one of the three auto massage programs, which focus your massage on your full, upper, or lower back. No matter how you use it, Human Touch Technology offers maximum massage flexibility and refreshing benefits.

Power — Lights to indicate that master power switch is on.

Stop/Park — Returns the massage mechanism to the home position at the bottom of the backrest, then stops.

Full Back / Upper Back / Lower Back
Three unique auto massage programs automatically massage you for 15 minutes each, using a variety of massage modes. The corresponding LED lights indicate which massage mode is currently in use.

Range — Customizes your vertical massage range.

Power Recline — Press and hold to recline/incline backrest.

Power Footrest Deploy
Controls the footrest angle for recline comfort and massage.

Targeted Muscle Benefits
Three massage modes let you customize your massage. (See page 9)
Press the Percussion button to toggle the percussion massage between roll, which rolls up and down your back, and zone, which focuses your massage on a six-inch zone.

POWER **STOP**

full back **upper back** **lower back** **AUTO**

Range **auto**

BACK **LEGS**

Position **position**

roll **zone** **percussion**

width

Stop — Stops the massage.

Calf/Foot — Press to toggle through two fixed speeds and an auto massage program.

Position — Use this button along with kneading or percussion/zone massage, to set the massage head to the desired position on the backrest.

Width — Focus or diffuse pressure.

human touch

When you're not using the remote, store it in the convenient pocket on the left side of the seat cushion, so it's out of the way.

MASSAGE TECHNIQUES

Massage Techniques	What It Does	Benefits
<p>KNEADING</p>	Kneads your back in a small, circular motion on both sides of your spine simultaneously.	Relieves tension and soreness by lifting and stretching muscles. Improves circulation and helps bring vital nutrients to the spinal area.
<p>PERCUSSION</p>	Alternates rapid-tapping strokes along the spine to stimulate both spinal muscles and spinal joint areas, emulating the percussive massage technique used in sports medicine for deep muscle therapy.	Flexes spinal joints and relieves pressure on the spinal column, invigorating the entire back area.
<p>ROLLING</p>	Rolls gently up and down your back near your spine.	Warms and loosens your muscles, preparing your back for deeper massage. Relieves muscle tension, improves circulation and relaxes the back.

FlexGlide®

Patent pending Human Touch Orbital Massage Technology.



Soothing, sensitive and oh so luxurious, our **FlexGlide** massage solution delivers a stress-reducing experience like never before. Free from the pinching and friction associated with typical massage chairs, every contour of your body is therapeutically touched by the unparalleled flexibility and seamless glide of our patent pending FlexGlide orbital technology. Much like a masseuse upgrading you from a dry to a warm oil massage, the FlexGlide experience will have you basking in the glow of ultimate relaxation.

care and maintenance

To keep your product working and looking its best, please follow these simple care guidelines.



WARNING:

1. Be sure to disconnect the power cord from the electrical outlet before cleaning.
2. When cleaning the controller or power switch, use a dry cloth only. Never use a damp cloth to clean the controller or power switch.
3. Be sure to test any cleaning solution on a small, inconspicuous part of the product to ensure that the color does not fade prior to using the solution on the entire product surface.
4. Do not use benzene, thinner or any other solvents on your product.

Cleaning Code Standard: W

To maintain your Human Touch product in optimum condition, dust it frequently and/or vacuum it with a soft brush vacuum extension. SofSuede® products can also be brushed with a suede brush. If your product becomes dirty, use a water-based upholstery cleaner only. To treat stains, spot clean with an upholstery shampoo or a mild detergent foam.

Maintenance and Repair:

1. The mechanics of this product are specially designed and constructed to be maintenance free. No periodic lubrication or servicing is required.
2. Your chair should only be serviced by an authorized service center.
3. Replacement EasySleeves foot and claf massage well inserts are available from Human Touch, for an additional charge.

Use and Storage Environment:

1. When not in use for a long period of time, we recommend that the chair be covered, the power cord be coiled and that the unit be placed in an environment free of dust and moisture.
2. Do not store near heat or open flame.
3. Do not leave this product exposed to direct sunlight for long periods of time. This may cause fading or damage.
4. Do not use or store in extreme temperatures; product stored in cold temperatures may require 48 hours at room temperature to function properly.
5. Product should be used and stored in an environment with non-condensing humidity ranging from 10 to 80%; excessive humidity will damage the mechanics.

Specifications*

Operating Voltage:	AC110-120V 60 Hz
Power Consumption:	0.8 A
Chair Size (reclined):	64" L x 28" W x 33" H
Product Weight:	89 Lbs.
Required Recline Clearance:	12"
Maximum Load Weight:	285 Lbs.

*Specifications are subject to change without prior notice.

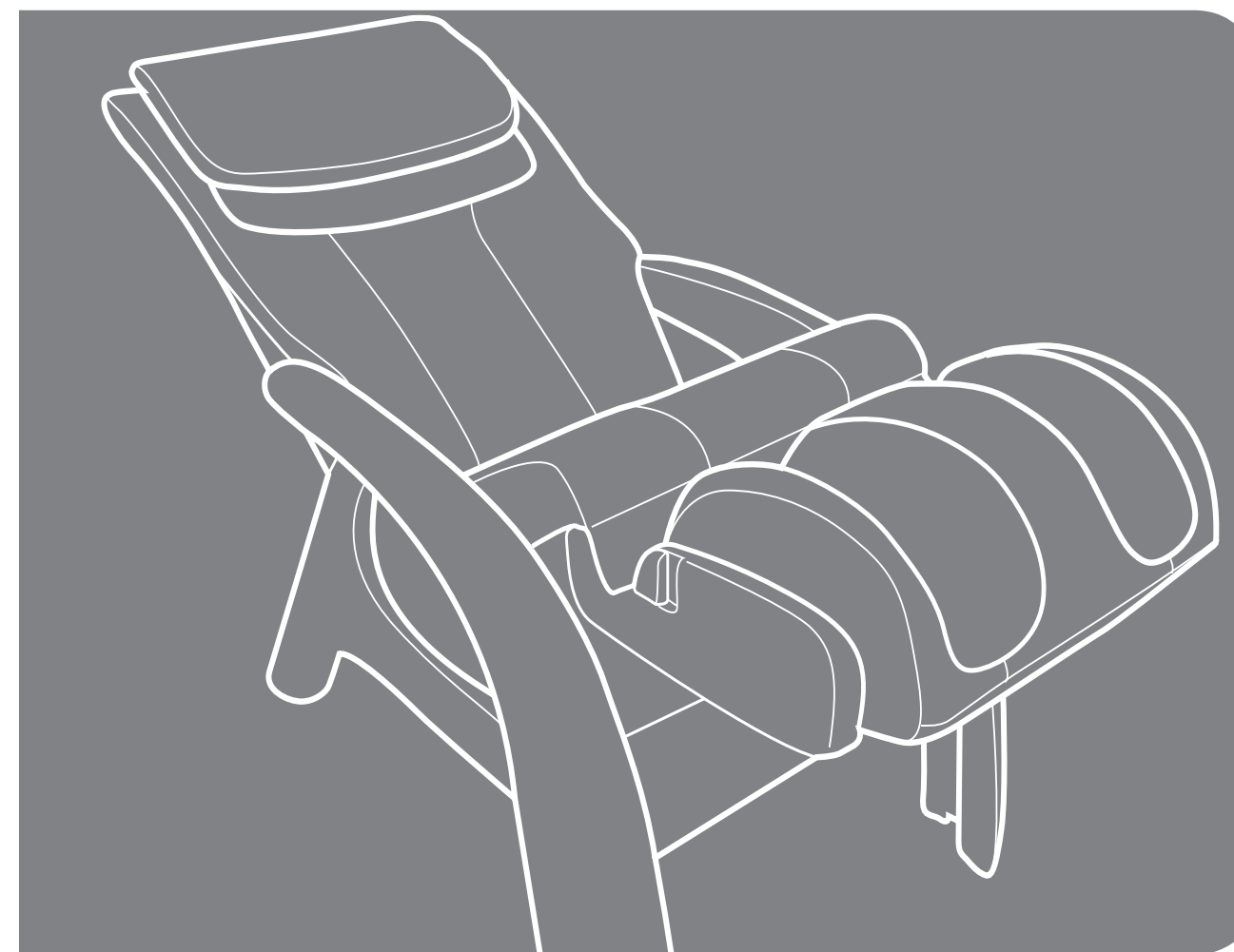
Human Touch®
ZeroG® **Volito**



human touch®

humantouch.com

800.355.2762



mode d'emploi et
d'entretien

FRANÇAIS

Enregistrez votre produit **EN LIGNE** dès maintenant

www.humantouch.com/register

Enregistrez votre produit **EN LIGNE** dès maintenant

www.humantouch.com/register



Conçu en collaboration avec des médecins et des experts de l'industrie, les produits Human Touch allient une technologie brevetée, une adresse hors pair et une ergonomie intelligente à une conception supérieure. Le tout, dans le but d'aider les usagers à se sentir mieux, à mieux performer, et à vivre à fond. Nos fauteuils de massage de file, nos fauteuils inclinables Perfect ChairMC et nos solutions évolutives et novatrices de mieux-être ont des qualités en commun : la convivialité, le souci de la performance et de la qualité et une conception qui convient à pratiquement tous les modes de vie. Ces qualités sont très appréciées de nos clients et nous méritent de nombreuses reconnaissances et de nombreux prix dans l'industrie.

Son histoire de **plus de 35 ans** d'innovations réussies et sa promesse inébranlable de réinventer les solutions immersives de mieux-être le prouvent : Human Touch est passionnée lorsque vient le temps d'aider les gens à profiter de **bienfaits révolutionnaires** grâce à nos produits et services uniques. Ainsi, Human Touch permet aux gens de vivre en meilleure santé, avec plus de vitalité, que ce soit au niveau professionnel ou personnel, au quotidien.

humantouch.com

Fièrement commandité par :



Enregistrez votre produit à www.humantouch.com pour que votre produit figure dans notre système, ce qui simplifiera le processus de la garantie, si jamais vous en aviez besoin.

©2016 Human Touch^{MD}, LLC. Brevets en instance et droits de propriété intellectuelle en vigueur.
Aucune garantie quant aux bénéfices médicaux de ce produit n'est offerte, qu'elle soit expresse ou implicite.
Human Touch est une marque de commerce de Human Touch^{MD}, LLC.

Human Touch[®] ZeroG[®] Volito

bienvenue chez **human touch**

Le **FAUTEUIL DE MASSAGE VOLITO** offre un massage corporel intégral remarquable grâce à la technologie Human Touch Technology^{MD} spécialement conçue pour vous faire sentir à votre meilleur. Le moteur de massage intelligent FlexGlide^{MD} simule les techniques des professionnels du massage. S'asseoir, incliner le fauteuil en position d'apesanteur et simplement profiter des bénéfices ciblés offerts à vos muscles fatigués, tendus et stressés. Vous en ressortirez détendu, le corps rétabli, et prêt à profiter de chaque instant. Prenez siège, inclinez-vous à la gravité zéro. Votre fauteuil Human Touch intègre parfaitement la fine pointe de la technologie et l'art ancien du massage thérapeutique. Profitez d'une sélection impressionnante de caractéristiques, réunies dans le fauteuil de massage le plus moderne conçu pour n'importe quel espace de vie luxueux. Il vous offre un des ingrédients principaux d'une vie équilibrée, dans le confort de votre foyer!

Afin de bénéficier du plein potentiel de toutes les caractéristiques de votre fauteuil, et afin de vous assurer que vous en faites un usage sécuritaire, lisez ce guide attentivement. Cela fait, assoyez-vous, détendez-vous, et profitez du voyage!

consignes de sécurité

CONSIGNES DE SÉCURITÉ IMPORTANTES

Lorsque vous utilisez un appareil électrique, vous devez toujours suivre les précautions de base suivantes :

Lisez toutes les instructions avant d'utiliser cet appareil.



DANGER: Afin de réduire les risques d'électrocution :

Débranchez toujours cet appareil de l'alimentation électrique dès que vous avez fini de l'employer et avant de le nettoyer.



MISE EN GARDE : Afin de réduire les risques de brûlure, d'incendie, d'électrocution ou de blessure :

- Tenez vos mains et vos doigts éloignés du mécanisme de massage et des rouleaux lorsqu'ils sont en marche. Si vous touchez au mécanisme, les rouleaux risquent de se comprimer et de vous blesser.
- Si le cordon d'alimentation est endommagé, il doit être remplacé par le fabricant, son représentant de service ou un technicien qualifié afin d'éviter tout danger.
- Un appareil ne devrait jamais être laissé sans surveillance lorsqu'il est branché. Débranchez l'appareil de l'alimentation lorsque vous ne l'employez pas et avant d'y insérer ou d'en retirer des pièces.
- Ne faites pas fonctionner cet appareil une couverture ou sous un oreiller. Une surchauffe pourrait survenir et causer un incendie, une électrocution ou des blessures.
- Une surveillance étroite est nécessaire lorsque ce fauteuil est employé près ou par des enfants ou des personnes handicapées. Gardez les enfants à l'abri du repose-pied déployé (ou autres pièces semblables).
- Employez ce fauteuil à ce pour quoi il a été conçu, tel que décrit dans ce guide. Employez uniquement les accessoires recommandés par le fabricant.
- N'employez jamais ce produit si son cordon ou sa fiche d'alimentation sont endommagés, s'il ne fonctionne pas correctement, s'il a été échappé ou endommagé ou s'il a été immergé. Retournez ce fauteuil à un centre de service pour examen et réparation.
- Ne transportez pas cet appareil en tirant sur son cordon d'alimentation. N'utilisez pas le cordon d'alimentation comme une poignée.
- Éloignez toujours le cordon d'alimentation de toute source de chaleur.
- Ne faites jamais fonctionner ce fauteuil si ses trappes d'aération sont obstruées. Maintenez les trappes d'aération exemptes de peluche, de cheveux et de substances semblables.
- N'échappez ni n'insérez jamais aucun objet dans aucune ouverture.
- N'employez pas ce fauteuil à l'extérieur.
- Ne faites pas fonctionner dans un endroit où on utilise des produits à bombe aérosol (vaporisateur) ou dans un endroit où de l'oxygène est administré.
- Pour débrancher, mettez toutes les commandes à la position O (arrêt) et retirez la fiche de la prise.
- Ne massez aucune partie du corps qui soit enflée, enflammée ou présentant des éruptions.
- Ne massez pas vos jambes si vous souffrez de douleurs idiopathiques.
- N'employez pas cet appareil sur une surface humide ou lorsqu'une partie de votre corps est en contact avec une structure de plomberie ou autre structure similaire.
- Ne branchez cet appareil qu'à une prise correctement mise à la terre. Consultez les INSTRUCTIONS DE MISE À LA TERRE.
- Utilisez les surfaces chauffantes avec précaution. Elles présentent un risque de brûlures graves. N'utilisez pas cet appareil sur une zone épidermique sensible ou si vous souffrez de mauvaise circulation sanguine. Ce produit peut être dangereux s'il est utilisé sans surveillance par des enfants ou des personnes handicapées.
- N'employez pas ce fauteuil s'il émet un bruit plus élevé que le son normal.
- Ne vous mettez pas debout sur ou dans l'appareil. N'utilisez cet appareil qu'en position assise.
- Cet appareil n'a pas été conçu pour être utilisé par des personnes (incluant les enfants) dont les facultés physiques, sensibles ou mentales sont réduites, ou qui n'ont pas assez d'expérience ou de connaissances, à moins d'être supervisés ou formés quant à l'utilisation de l'appareil par la personne en charge de leur sécurité. Les enfants doivent être surveillés pour veiller à ce qu'ils ne jouent pas avec l'appareil.
- Toute personne souffrant d'un trouble médical, notamment les femmes enceintes ou qui croient l'être, doivent consulter un médecin avant d'utiliser un produit de massage.

Consignes de sécurité

- Nous recommandons le port de vêtements confortables pour l'emploi de ce produit.
- Une position détendue est nécessaire afin de bénéficier des avantages de ce fauteuil. Ne mettez jamais de pression sur aucune partie de votre corps reposant sur le dossier lorsque que les rouleaux sont en mouvement.
- Si vous éprouvez un inconfort anormal lorsque vous employez ce produit, éteignez-le immédiatement et cessez son emploi. Consultez votre médecin.
- Ne vous assoyez pas sur le système de commande.
- Ne tirez pas sur le cordon d'alimentation.
- Si vous employez ce produit après une période de rangement prolongée, vérifiez son bon fonctionnement au préalable.
- Assurez-vous toujours qu'aucun obstacle ne se trouve derrière le fauteuil. Assurez-vous de disposer d'un espace suffisant pour incliner le fauteuil.

CONSERVEZ CE MODE D'EMPLOI

Ne réparez pas ce fauteuil vous-même.

Ce fauteuil est conçu pour un usage personnel au foyer. Tout usage à des fins commerciales annulera la garantie.

Consignes de mise à la terre :



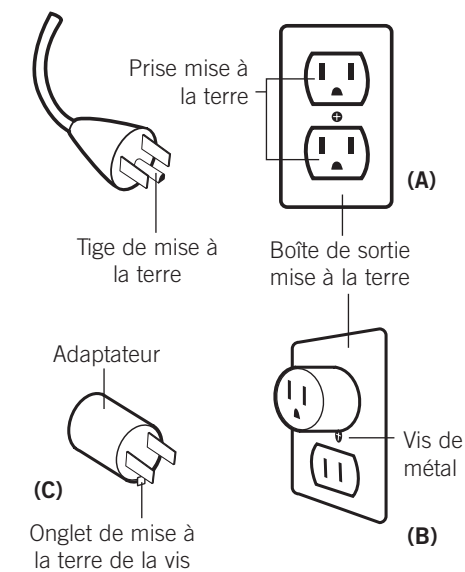
Ce fauteuil doit être branché sur un circuit avec mise à la terre. En cas de mauvais fonctionnement ou de bris, la mise à la terre réduit le risque d'électrocution en permettant au courant électrique d'emprunter le chemin offrant le moins de résistance. Ce fauteuil est pourvu d'un cordon d'alimentation doté d'un conducteur et d'une fiche de mise à la terre. La fiche doit être branchée dans une prise correctement installée et mise à la terre conformément aux ordonnances et aux codes locaux.

DANGER : Un branchement inadéquat du conducteur de mise à la terre entraîne un risque d'électrocution. Consultez un électricien ou un technicien qualifié si vous n'êtes pas certain que ce fauteuil soit correctement mis à la terre. Ne modifiez pas la fiche accompagnant le fauteuil – si elle ne s'insère pas dans la prise, faites installer une prise appropriée par un électricien qualifié.

Ce fauteuil convient à un circuit de courant nominal de 120 volts. Il est doté d'une fiche de mise à la terre semblable à celle illustrée sur la figure A. Au cas où une prise correctement mise à la terre ne serait pas disponible, un adaptateur temporaire, semblable à celui illustré sur les figures B et C, peut être employé pour brancher cette fiche à une prise de courant à deux trous, tel qu'illustré sur la figure B. L'adaptateur temporaire ne doit être employé que le temps qu'il faudra à faire installer une prise correctement mise à la terre (figure A) par un électricien qualifié. L'onglet rigide de couleur verte sortant de l'adaptateur doit être branché à une prise permanente, telle un couvercle de boîte de sortie correctement mise à la terre. L'adaptateur doit être retenu par une vis de métal.

Pour tous les produits dotés d'un cordon d'alimentation mis à la terre :

Méthodes de mise à la terre :



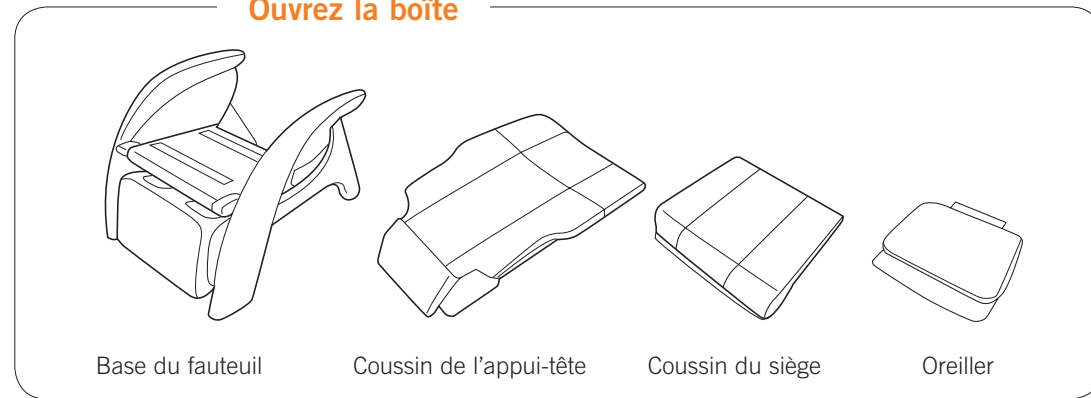
L'utilisation d'un adaptateur temporaire est interdite au Canada.



MISE EN GARDE : Ce fauteuil est doté d'un dispositif de réinitialisation thermique de protection. Il s'agit d'une caractéristique de sécurité supplémentaire installée afin de vous protéger contre la surchauffe du fauteuil. Si le fauteuil s'arrête soudainement et que vous ne pouvez le remettre en marche, mettez le bouton d'alimentation générale, situé à l'arrière du fauteuil, à la position d'arrêt. Attendez au moins 30 minutes avant de le remettre en marche. Si vous n'éteignez pas le fauteuil, il pourrait se remettre en marche inopinément une fois le dispositif refroidi.

préparez-vous

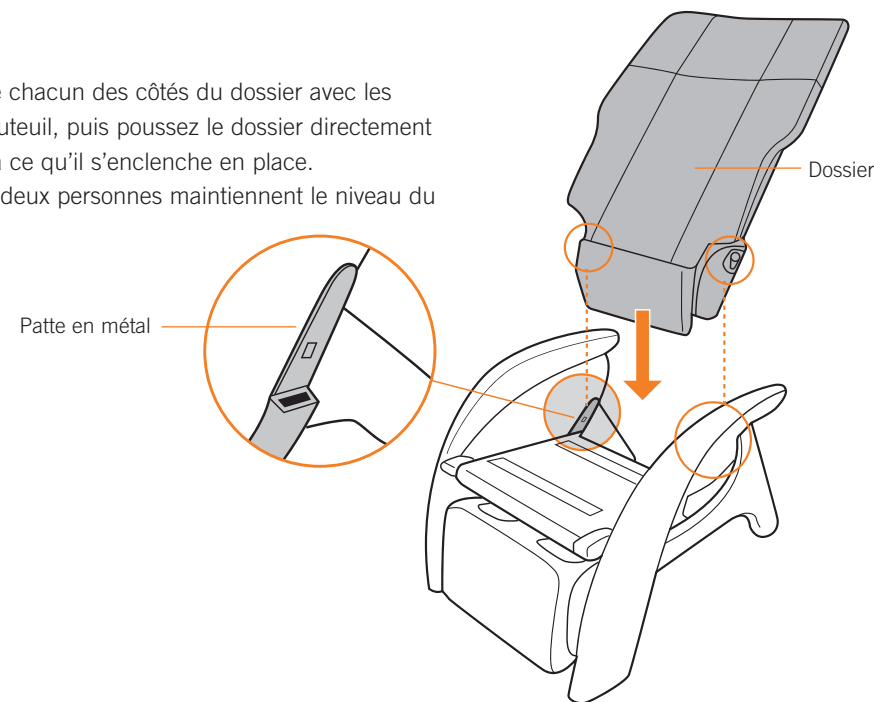
Ouvrez la boîte



1. Installez le dossier.

1. Alignez les pattes en métal de chacun des côtés du dossier avec les fentes correspondantes sur le fauteuil, puis poussez le dossier directement et fermement vers le bas jusqu'à ce qu'il s'enclenche en place.

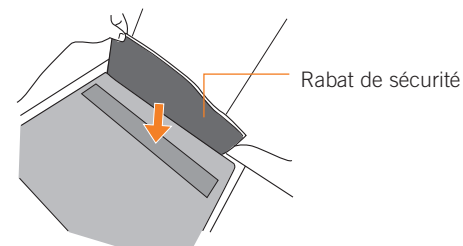
CONSEIL : il est préférable que deux personnes maintiennent le niveau du dossier pendant l'installation.



2. Tirez vers le haut sur le dossier pour vous assurer qu'il est verrouillé en place.

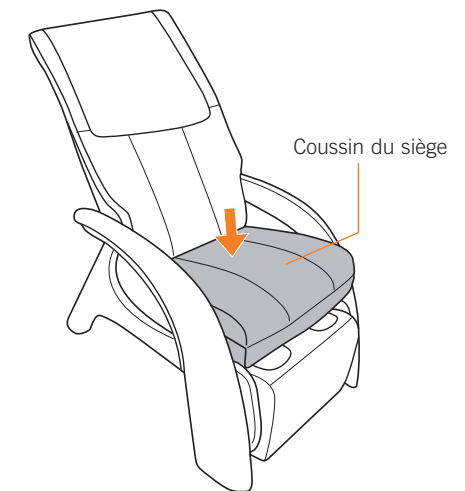
3. Repérez le rabat de sécurité noir sur la base du dossier, puis rattachez-le à la toile du siège en utilisant les fixations autoagrippantes.

IMPORTANT : Assurez-vous de terminer cette étape, car le rabat de sécurité évite de se pincer les doigts.



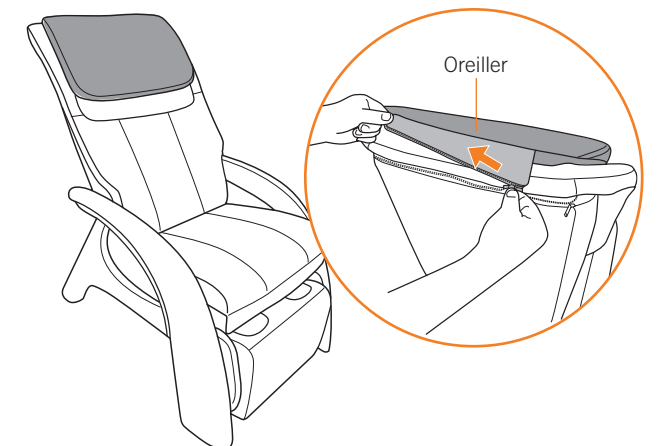
2. Installer le coussin de siège.

Placez le coussin de siège en position contre le dossier, puis poussez fermement vers le bas pour le fixer en utilisant des fixations autoagrippantes.



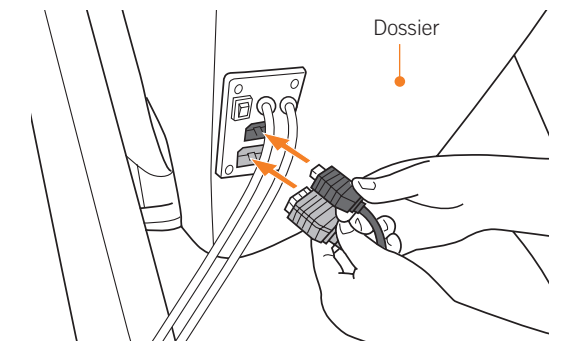
3. Installer l'oreiller.

Installez l'oreiller sur le dossier avec la fermeture éclair.



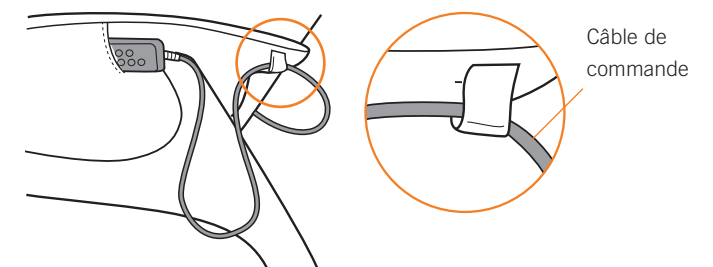
4. Connecter les câbles.

Connectez chacun des deux câbles de la base du fauteuil sur les connecteurs correspondants sur le dossier.



5. Fixer le câble de commande à distance

Enfiler le câble de commande à distance à travers le guide de câble, pour l'empêcher de se faire prendre lorsque le fauteuil inclinable / incline.



asseyez-vous

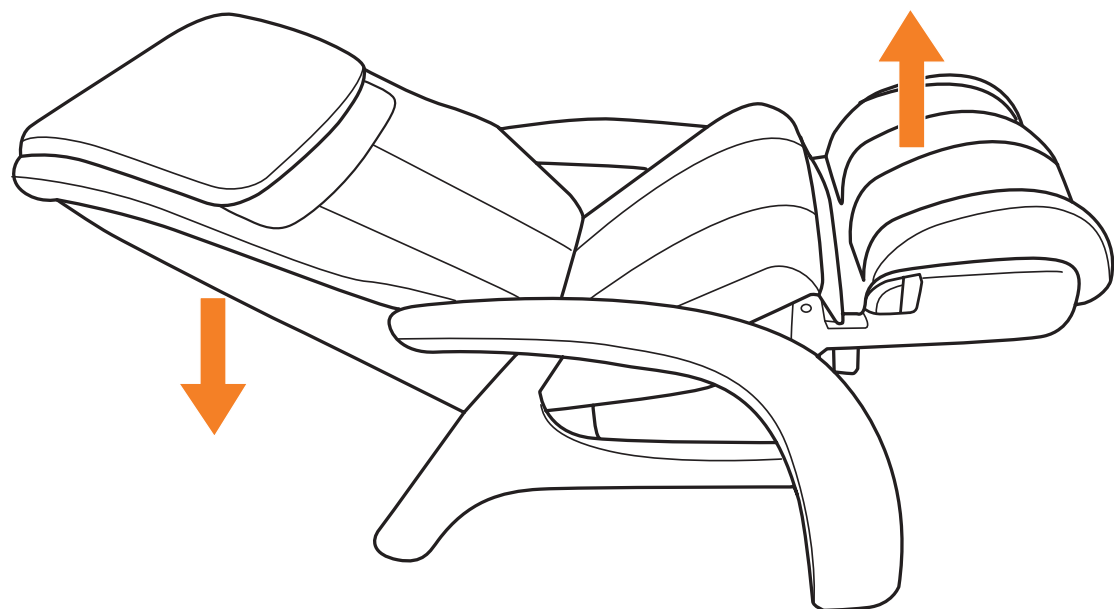
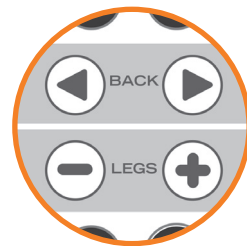
1. Mettre en marche

Branchez le cordon d'alimentation à une source d'alimentation. Mettez l'interrupteur d'alimentation principal (situé à l'arrière du fauteuil) à la position On (marche).



2. Inclinez le dossier et soulevez l'appui-jambe.

Utilisez les boutons « back » (dos) et « legs » (jambes) pour positionner le fauteuil pour un confort optimal.



⚠ N'empêchez pas l'inclinaison électrique du dossier ou du repose-pied. N'inclinez pas manuellement le dossier ou le repose-pied. Entraver l'inclinaison électrique causera des dommages permanents au fauteuil.

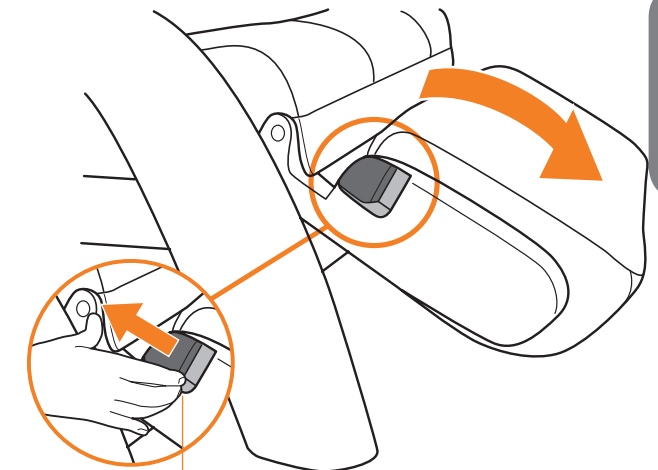
Votre fauteuil de massage Human Touch est facile d'emploi! Prenez place et ajustez l'inclinaison à l'angle désiré. Votre fauteuil Human Touch vous aide à vous sentir mieux grâce au positionnement d'apesanteur et de nombreuses techniques de massage que vous contrôlez. C'est la façon idéale de relaxer et de se détendre.

POUR UN MASSAGE DES JAMBES ET DES PIEDS

1. Déployer le masseur jambes+pieds.

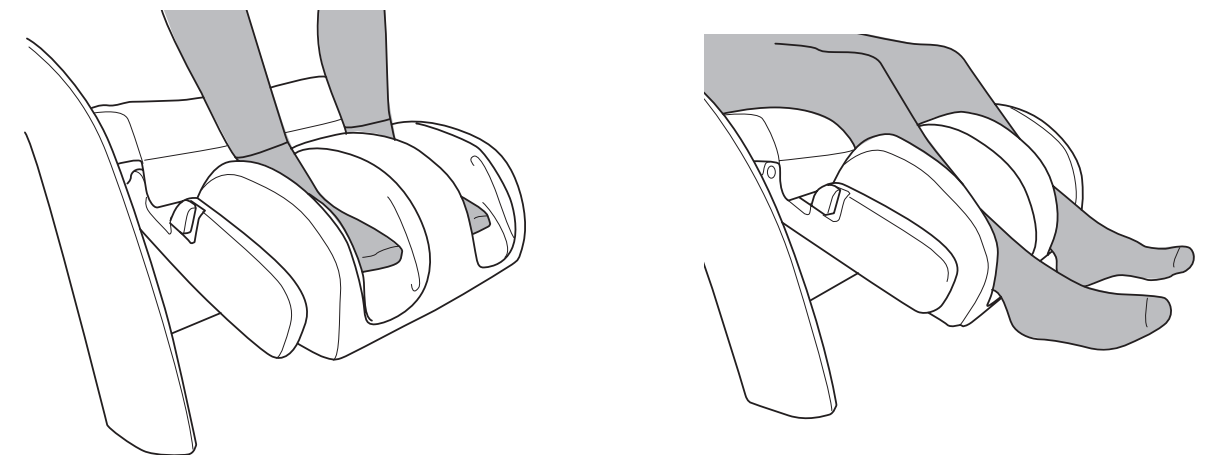
Alors que vous êtes assis dans le fauteuil, utiliser le bouton de levage des jambes du contrôleur pour déployer le repose-pied. Pour utiliser le masseur jambes+pieds, tirez le levier de déverrouillage du pivotement du repose-pied (situé sur le côté droit du repose-pied) vers vous, puis faites pivoter le repose-pied à l'écart de vous jusqu'à ce qu'il s'enclenche en position, le masseur pour les pieds faisant face vers le haut. Ne forcez pas le pivotement du repose-pied au-delà du clic. Une force excessive pourrait endommager le mécanisme.

⚠ Ne vous tenez pas debout et ne vous asseyez pas sur le masseur jambes+pieds.



Manette de dégagement

2. Insérer vos pieds ou vos jambes.



Pour descendre plus aisément du fauteuil, ramenez d'abord le repose-pied et le dossier à leur position initiale.

prenez les commandes

Alimentation — Témoins indiquant que l'interrupteur principal est à la position de marche.

Arrêt — Ramène le mécanisme de massage à la position d'origine à la base du dossier, puis s'arrête.

Full Back / Upper Back / Lower Back (Dos complet / Dos supérieur / Dos inférieur) — Trois programmes de massage automatiques uniques vous massent automatiquement pendant 15 minutes chacun en utilisant une variété de modes de massage. La DEL correspondante indique quel mode de massage est en cours d'utilisation.

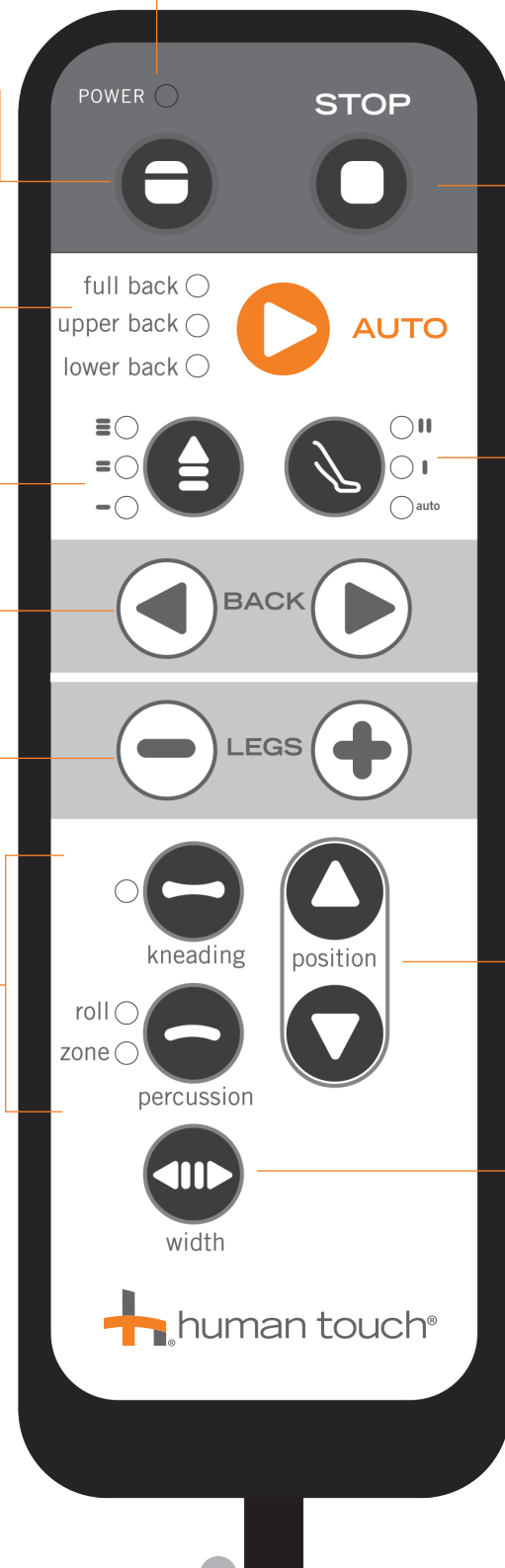
Portée — Personnalise la portée verticale de votre massage.

Inclinaison mécanique — Appuyez ici et maintenez la pression pour élever ou abaisser le dossier.

Déployez le repose-pied électrique — Ces boutons permettent de contrôler l'angle du repose-pied pour le confort d'inclinaison et le massage.

Avantages du ciblage des muscles — Trois réglages de massage vous permettent de personnaliser votre session de massage. (Voir page 23)

Appuyez sur le bouton Percussion pour basculer entre le mouvement de roulement (roll), qui roule vers le haut et le bas de votre dos, et zone, qui concentre votre massage sur une zone de six pouces.



Arrêt — Arrête le massage.

Mollet/pied — PAppuyez ici pour alterner entre deux vitesses fixes et un programme de massage automatique.




Position — Utilisez ce bouton avec le massage de type pétrissage ou percussion/zone, pour placer la tête de massage à la position souhaitée sur le dossier.

Largeur — Concentrez ou diffusez la pression.

ⓘ Lorsque vous n'utilisez pas la télécommande, rangez-la dans la poche pratique qui se trouve du côté gauche du coussin du siège de manière à ce qu'elle ne dérange pas.

À présent, choisissez une technique de massage. Votre fauteuil Human Touch vous aide à personnaliser votre massage en utilisant une variété de modes de massage. Utiliser le bouton Range (portée) pour créer sur mesure votre portée de massage verticale ou utiliser les boutons de position pour cibler le massage sur une zone précise. Vous pouvez aussi laisser le fauteuil prendre le contrôle, vous n'avez qu'à sélectionner un des trois programmes de massage automatique, lesquels concentrent le massage sur l'ensemble, le haut ou le bas du dos. Peu importe l'usage que vous en ferez, la technologie Human Touch vous offrira un massage optimal et les bienfaits les plus revigorants.

Mode de massage

Mode de massage	Ce qu'il fait	Avantages
PÉTRISSAGE 	Votre dos est pétri par de petits mouvements circulaires appliqués de chaque côté de votre colonne vertébrale.	Cette technique libère des tensions et des douleurs en soulevant et en étirant les muscles. Améliore la circulation sanguine en apportant les nutriments essentiels dans la zone de votre colonne vertébrale.
PERCUSSION 	Des tapotements rapides alternés le long de la colonne vertébrale stimulent les muscles et les articulations de la région lombaire. Ce massage reproduit la technique de massage à percussion employée en médecine sportive dans le cadre de thérapie musculaire en profondeur.	Assouplit les articulations de la région lombaire et libère les pressions de la colonne vertébrale, revigorant tout le dos.
ROULEMENT 	Un roulement doux masse le long de votre dos, près de votre colonne vertébrale.	Réchauffe et relâche vos muscles, préparant votre dos pour un massage plus en profondeur. Ce massage relâche les tensions musculaires, améliore la circulation sanguine et détend le dos.

FRANÇAIS

FlexGlide® Technologie de massage orbital en instance de brevet.



Réconfortante, sensible et tellement raffinée, notre solution de massage FlexGlide® offre une expérience apaisant le stress comme jamais auparavant. Exempt du pincement et de la friction associés aux fauteuils de massage courants, tout le contour de votre corps est touché de façon thérapeutique par la flexibilité sans précédent et le glissement continu de notre technologie orbitale en instance de brevet FlexGlide®. En peu comme un massothérapeute passant d'un massage sec à un massage chaud avec de l'huile, grâce à l'expérience FlexGlide® vous savourerez le délice de l'ultime relaxation.

soin et entretien

Afin de vous assurer que votre fauteuil fonctionne bien et qu'il conserve une belle apparence, veuillez suivre ces consignes faciles d'entretien.

MISE EN GARDE :

1. Assurez-vous de débrancher le cordon d'alimentation de la prise murale avant le nettoyage.
2. Nettoyer le boîtier de commande et l'interrupteur à l'aide d'un linge sec seulement. Ne nettoyez jamais le système de commande ou le bouton d'alimentation à l'aide d'un linge humide.
3. Avant de procéder au nettoyage de toute la surface du produit à l'aide d'une solution nettoyante, veuillez à en faire l'essai sur une petite portion camouflée du produit afin de vous assurer qu'elle n'entraîne pas de décoloration.
4. N'utilisez pas de benzène, de diluant ou de solvant pour nettoyer le produit.

Norme de nettoyage : W

Pour maintenir votre produit Human Touch en état optimal, époussetez-le fréquemment ou passez-y l'aspirateur à l'aide d'une brosse douce. On peut également brosser les produits SoftSuede^{MD} à l'aide d'une brosse pour le suède. Seuls les nettoyants à l'eau pour meubles conviennent au nettoyage de ce produit. Pour traiter les taches, appliquez localement un shampoing pour meubles ou un détergent mousseux doux.

Entretien et réparation :

1. La mécanique de ce fauteuil a été conçue et construite afin de ne nécessiter aucun entretien. Aucune lubrification ni entretien périodique ne sont nécessaires.
2. Votre fauteuil ne doit être réparé que par un centre de service agréé.

Environnement d'utilisation et de rangement :

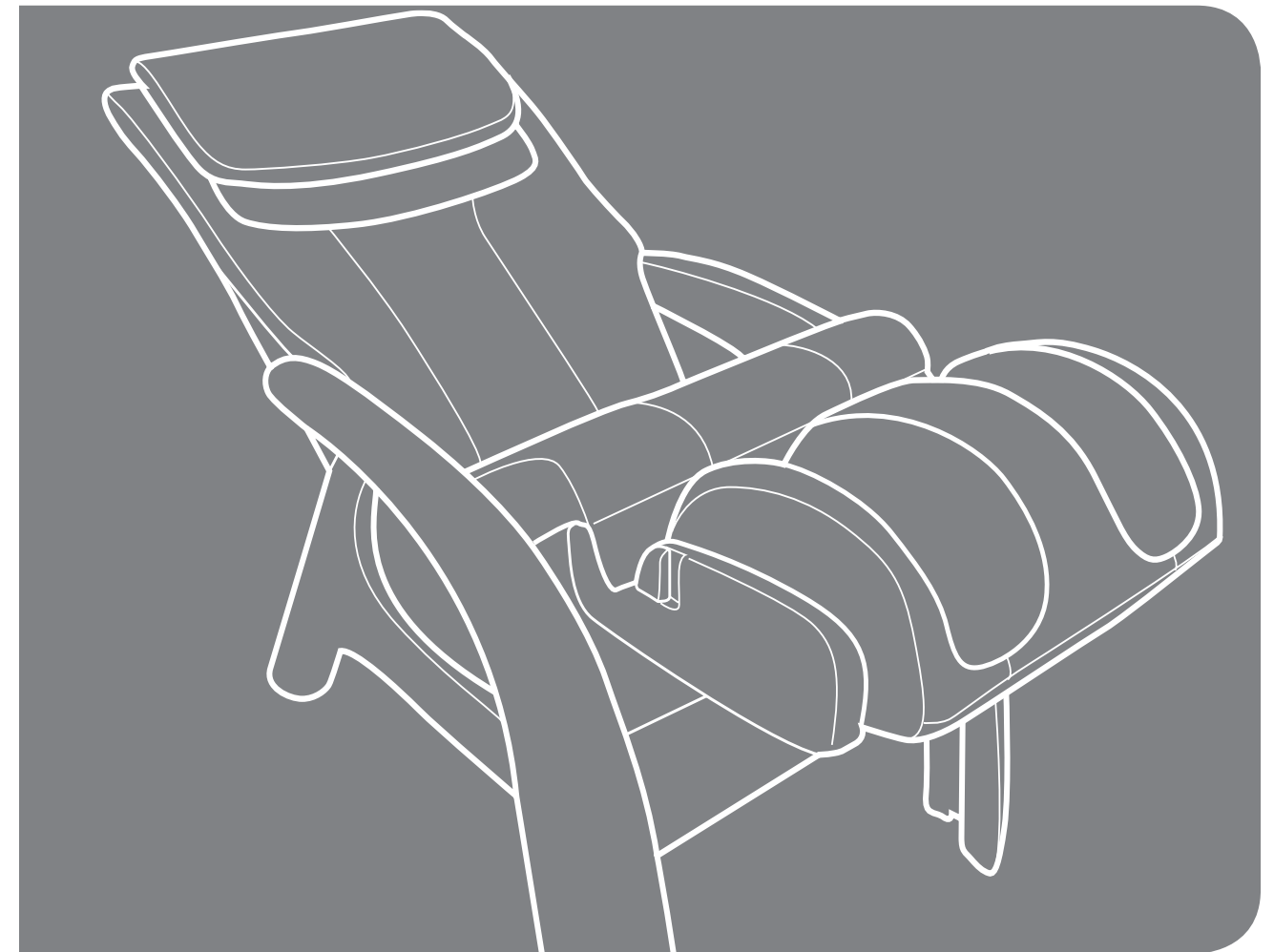
1. Lorsque le fauteuil ne doit pas être employé sur une longue période, nous vous recommandons d'enrouler le cordon d'alimentation et de placer le fauteuil dans un endroit exempt de poussière et d'humidité
2. Ne le rangez près d'une flamme ou d'une source de chaleur.
3. N'exposez pas cet appareil aux rayons directs du soleil sur une longue période. Cela pourrait le décolorer ou l'endommager.
4. N'utilisez pas et ne rangez pas votre fauteuil dans des températures extrêmes. Les produits rangés au froid peuvent devoir attendre 48 heures à la température de la pièce avant de bien fonctionner.
5. Le produit doit être utilisé et rangé dans un milieu où le taux d'humidité relative sans condensation varie de 10 % à 80 %. Trop d'humidité endommagera la mécanique.

Fiche technique*

Tension de fonctionnement :	110 à 120 volts CA, 60 Hz
Consommation d'énergie :	0,8 A
Dimensions du fauteuil (incliné) :	163 cm Lon. x 71 cm Lar. x 84 cm Hau.
Poids du produit :	40,3 kg
Dégagement d'inclinaison requis :	30,5 cm
Poids de charge maximal :	129,27 kg

**La fiche technique est indiquée sous réserve de modifications.*

Human Touch®
Volito de ZeroG®



human touch®

humantouch.com

800.355.2762



human touch

El mejor bienestar. La mejor sensación.™

manual de uso y cuidado

ESPAÑOL

Registre su producto **EN LÍNEA** hoy

www.humantouch.com/register

Registre su producto **EN LÍNEA** hoy

www.humantouch.com/register



Desarrollada en colaboración con la comunidad médica y expertos de la industria, los productos Human Touch combinan tecnología patentada, artesanía y ergonomía inteligente con un diseño superior que ayuda a los usuarios a sentirse, actuar y vivir de la mejor forma posible. Nuestras sillas de masaje líderes en la industria, las sillas reclinables Perfect Chair® y un conjunto de soluciones innovadoras de bienestar en evolución comparten atributos de facilidad de uso, atención al rendimiento, calidad y diseño para adaptarse a casi cualquier estilo de vida. Estos atributos son muy apreciados por nuestros clientes y obtienen premios y el reconocimiento de toda la industria.

Con una historia probada innovación exitosa y un compromiso inquebrantable con la reinención de soluciones de bienestar inmersivas por **más de 35 años**, Human Touch tiene pasión por ayudar a otros a lograr **beneficios que cambian la vida** a través de nuestros productos y servicios únicos. Como resultado, Human Touch permite a la gente a disfrutar de una mayor salud y vitalidad en sus profesiones, actividades y vida cotidiana.

humantouch.com

Orgullosamente avaladas por:



Registre su producto en www.humantouch.com para garantizar que su producto esté en nuestro sistema y simplificar el proceso de garantía, en caso de que la necesite.

©2016 Human Touch®, LLC. Patentes en proceso y derechos de propiedad intelectual vigentes.
El uso de este producto no garantiza ni implica declaraciones médicas.
Human Touch es una marca registrada de Human Touch®, LLC.

Human Touch® Volito de ZeroG®

¡le damos la bienvenida a
human touch®!

La **SILLA DE MASAJES VOLITO** ofrece un excelente masaje de cuerpo completo al utilizar la tecnología Human Touch® específicamente diseñada para mejorar lo que usted siente. El motor de masaje FlexGlide® simula las técnicas expertas de los profesionales del masaje, dejándole relajado, con su cuerpo reparado y listo para vivir la vida al máximo. Siéntese, recline la silla hasta gravedad cero y simplemente disfrute de los beneficios focalizados que aliviarán la tensión y el estrés de sus músculos cansados. La silla de masaje Human Touch™ es el puente perfecto entre la tecnología de avanzada y el arte ancestral curativo del masaje. Disfrute de una impresionante selección de características agrupadas en la silla de masaje más moderna, diseñada para cualquier hábitat de lujo. Es un ingrediente clave para una vida equilibrada y lo puede tener justo en su propia casa.

Para garantizar que no olvide ninguna de sus funciones y que la utilizará en forma segura, lea este manual detenidamente. ¡Luego siéntese, relájese y disfrute!

manténgala en forma segura

INSTRUCCIONES DE SEGURIDAD IMPORTANTES

Cuando utilice un artefacto eléctrico, debe tener siempre precauciones especiales, incluidas las siguientes:

Lea todas las instrucciones antes de usar este artefacto.

- PELIGRO: Para reducir el riesgo de sacudida eléctrica:**
Desconecte siempre este producto del tomacorriente inmediatamente después de usarlo y antes de limpiarlo.
- ADVERTENCIA: Para reducir el riesgo de quemaduras, incendio, sacudida eléctrica o lesiones personales:**
 - No coloque las manos ni los dedos cerca del mecanismo de masaje, ni de los rodillos mientras este producto esté en funcionamiento. Tocar el mecanismo puede producir lesiones causadas por los rodillos que producen un efecto de compresión.
 - Si el cable de alimentación está deteriorado, el fabricante, su agente de servicio o una persona calificada similar debe reemplazarlo para evitar peligros.
 - Un artefacto nunca debe dejarse desatendido mientras esté conectado. Cuando no esté en uso, desconéctelo del tomacorriente antes de colocarle o retirarle piezas.
 - No lo ponga en funcionamiento bajo una sábana o cojín. Puede ocurrir el calentamiento excesivo y producir un incendio, sacudida eléctrica o lesiones personales.
 - Se requiere su supervisión muy de cerca cuando este artefacto es utilizado por, con o cerca de niños, personas inválidas o discapacitadas. Mantenga a los niños retirados del apoyapies cuando esté extendido (o de otras piezas similares).
 - Utilice este producto solamente para el uso que se describe en este manual. No utilice conexiones no recomendadas por el fabricante.
 - Nunca haga funcionar este artefacto si tiene un cable o enchufe dañado, si no funciona correctamente, si se ha caído o deteriorado, o si ha caído en el agua. Devuelva este producto a un centro de servicio para su revisión y reparación.
 - No hale este artefacto por el cable de alimentación, ni utilice el cable como mango.
 - Mantenga siempre el cable de alimentación alejado de superficies calientes.
 - Nunca haga funcionar este artefacto con los orificios de ventilación obstruidos. Mantenga los orificios de ventilación libres de pelusa, cabellos y cosas por el estilo.
 - Nunca deje caer ni introduzca objetos en ningún orificio o abertura.
 - No se utilice en exteriores.
 - No se utilice en lugares donde se empleen productos en aerosol (spray) o donde se administre oxígeno.
 - Para desconectarlo, apague todos los controles colocándolos en posición OFF y luego retire el enchufe del tomacorriente.
 - No masajee ninguna zona del cuerpo que esté hinchada, inflamada o cubierta con erupciones.
 - No se utilice si presenta dolor en las pantorrillas de causa desconocida.
 - No utilice este producto sobre el piso húmedo o mientras alguna parte del cuerpo esté en contacto con tuberías o tomas de tierra similares.
 - Conecte siempre este artefacto a un tomacorriente debidamente conectado a tierra. Consulte las INSTRUCCIONES DE PUESTA A TIERRA.
 - Tenga cuidado al usar las superficies calientes. Pueden causar quemaduras serias. No lo use en zonas de la piel muy sensibles o con problemas de circulación. El uso de calor por niños o personas discapacitadas puede ser peligroso sin la atención de otras personas.
 - No use este producto si escucha ruido más fuerte del sonido normal.
 - No se ponga de pie sobre el artefacto. Úselo solamente sentado.
 - Este artefacto no está destinado para personas (incluidos niños) con discapacidades físicas, sensoriales o mentales, o sin experiencia y conocimientos para el uso de este producto, a menos que la persona responsable por su seguridad le haya instruido o supervisado en el uso de este artefacto. Se debe supervisar a los niños muy de cerca para asegurarse de que no jueguen con este artefacto.
 - Las personas con problemas de salud, incluidas mujeres que estén o puedan estar embarazadas, deben consultar a un médico antes de hacer uso de cualquier producto masajeador.

Precauciones de seguridad

- Se recomienda usar ropa cómoda mientras se utiliza este producto.
- Este producto ha sido diseñado para usarlo en posición relajada. Nunca fuerce ninguna parte del cuerpo hacia el área del espaldar mientras los rodillos estén en movimiento.
- Si siente alguna molestia anormal durante el funcionamiento de este producto, apague la alimentación eléctrica de inmediato y no utilice este producto. Consulte a su médico.
- No se siente sobre el control.
- No hale el cable de CA.
- Cuando utilice este producto después de haberse mantenido almacenado, compruebe que funciona debidamente antes usarlo.
- Compruebe siempre que no haya obstáculos detrás del producto y que haya espacio suficiente para reclinarlo.

CONSERVE ESTAS INSTRUCCIONES

No intente reparar este producto usted mismo.

Este producto está diseñado para uso personal en casa. Su uso comercial anula la garantía.

Instrucciones de puesta a tierra:

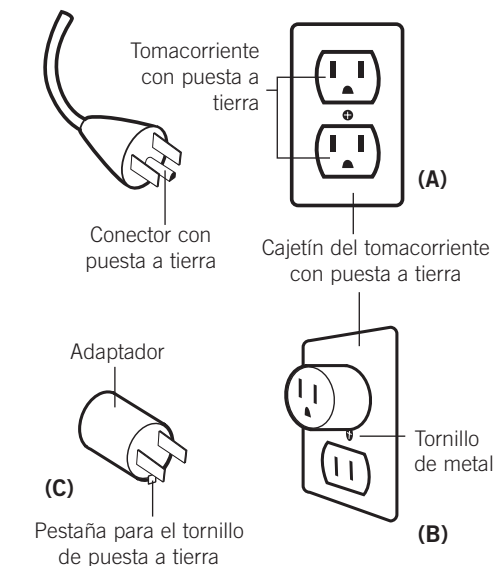
Este producto debe estar conectado a tierra. En caso de mal funcionamiento o avería, la puesta a masa ofrece una vía de menor resistencia para la corriente eléctrica para reducir el riesgo de sacudida eléctrica. Este producto está equipado con un cable que tiene un conductor de puesta a tierra del equipo y un enchufe de puesta a tierra. El enchufe se debe conectar a un tomacorriente adecuado que esté correctamente instalado y puesto a tierra, en conformidad con todos los códigos y ordenanzas locales.

- PELIGRO: La conexión inadecuada del conductor de puesta a tierra del equipo puede resultar en riesgo de sacudida eléctrica. Si no está seguro de que este producto esté correctamente puesto a tierra, consulte con un electricista calificado o con un técnico de servicio. No modifique el enchufe suministrado con el producto. Si no corresponde con el tomacorriente, haga que un electricista calificado le instale un tomacorriente adecuado.**

Este producto se usa en circuitos normales de 120 voltios y tiene un enchufe de puesta a tierra similar al enchufe que se muestra en la ilustración (A). Se puede utilizar un adaptador temporal similar al que se muestra en las ilustraciones (B) y (C) para conectar este enchufe a un receptáculo de 2 polos como el que se muestra en la ilustración B, en caso de no tener disponible un enchufe debidamente puesto a tierra. El adaptador temporal se debe utilizar sólo hasta que un electricista calificado instale un tomacorriente debidamente conectado a tierra (ilustración A). La pestaña rígida en forma de oreja, de color verde, o similar, que sale del adaptador se debe conectar a una toma de tierra permanente, como por ejemplo, una tapa de cajetín de tomacorriente debidamente puesta a tierra. Cuando se use el adaptador, se debe asegurar con un tornillo de metal.

Para todos los productos conectados con un cable con puesta a tierra:

Métodos de puesta a tierra:



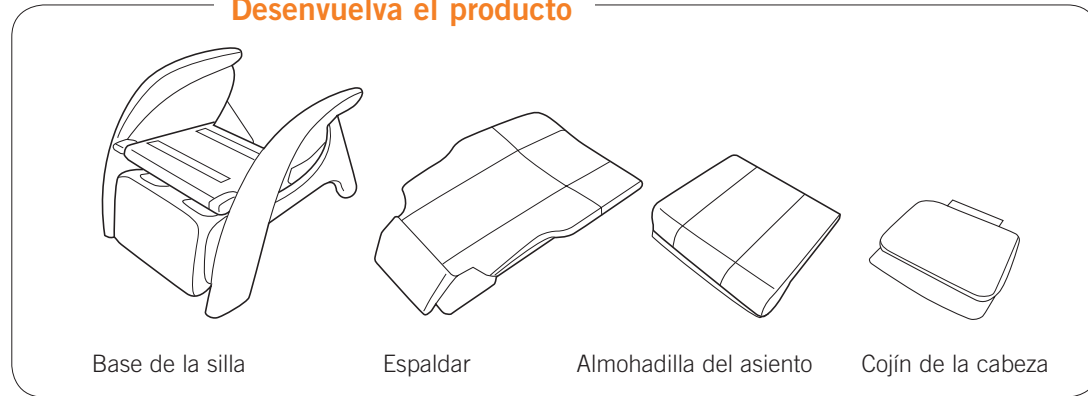
En Canadá no se permite el uso de adaptadores temporales.

- ADVERTENCIA:** Este producto está equipado con un protector térmico de restablecimiento. Es una característica de seguridad adicional para protegerle a usted y al producto contra el recalentamiento. Si el producto se detiene repentinamente y no arranca, coloque el interruptor principal ubicado en la parte posterior del producto en posición de apagado (Off) y no ponga el producto en funcionamiento al menos durante 30 minutos. Si no apaga el producto, el producto puede reiniciar el funcionamiento de repente mientras se enfría.

Armar la silla de masaje Human Touch es fácil. Solo coloque la almohadilla del espaldar y el cojín de la cabeza ¡y listo!

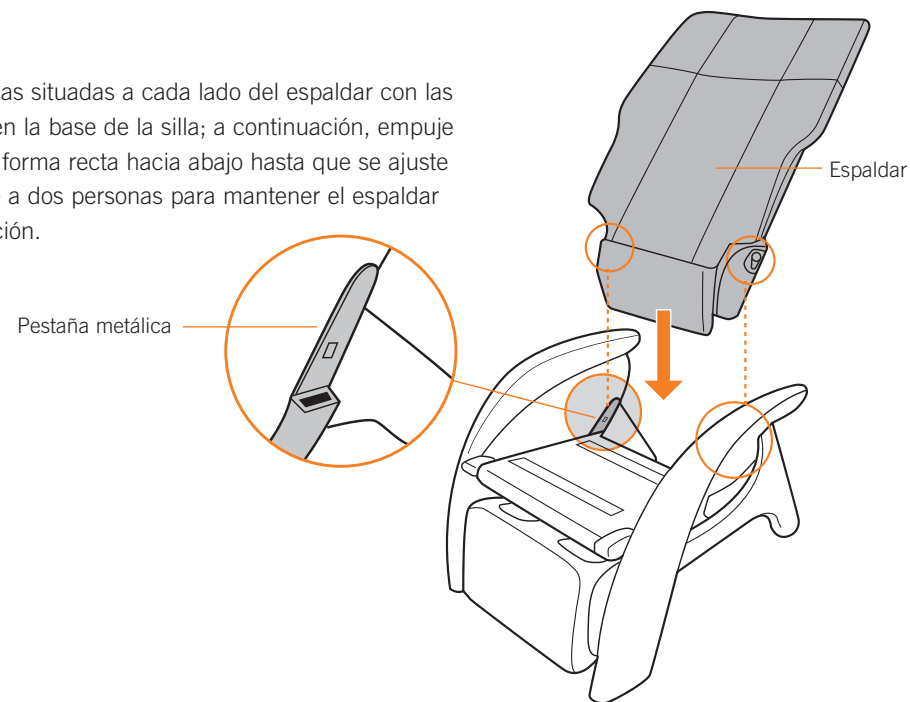
prepárese

Desenvuelva el producto



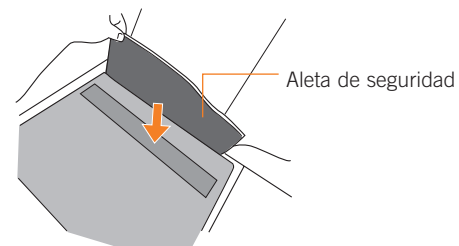
1. Instale el espaldar.

1. Alinee las pestañas metálicas situadas a cada lado del espaldar con las ranuras correspondientes en la base de la silla; a continuación, empuje el espaldar con firmeza en forma recta hacia abajo hasta que se ajuste en su sitio. **CONSEJO:** Use a dos personas para mantener el espaldar nivelado durante la instalación.



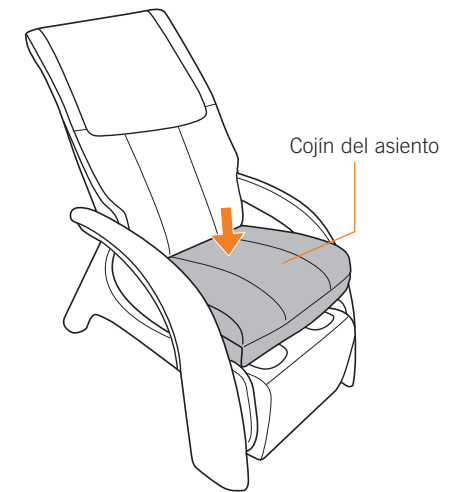
2. Hale el espaldar hacia arriba para asegurar que está ajustado en su lugar.

3. Ubique la aleta negra de seguridad en la parte inferior del espaldar y asegúrela a la lona del asiento con los cierres mágicos. **IMPORTANTE:** Asegúrese de completar este paso ya que la aleta de seguridad protege contra el pinzamiento de los dedos.



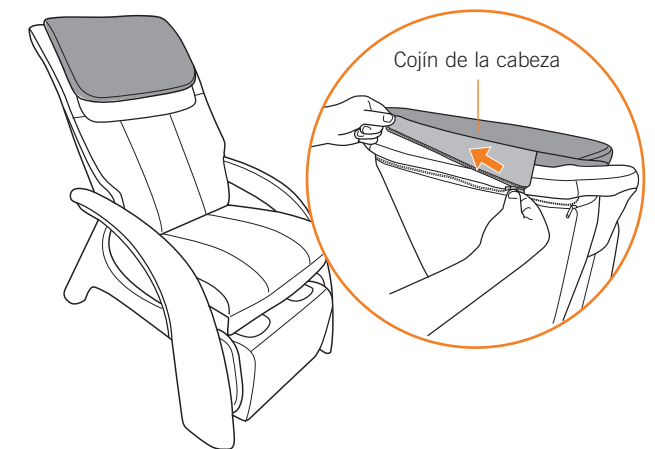
2. Instale el cojín del asiento.

Coloque el cojín del asiento en posición contra el espaldar y empuje firmemente hacia abajo para asegurarlo con los cierres mágicos.



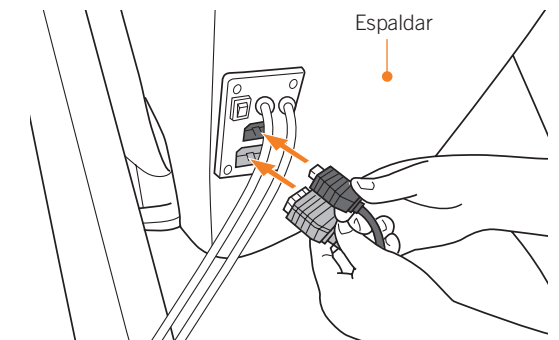
3. Instale el cojín de la cabeza.

Asegure el cojín de la cabeza al espaldar.



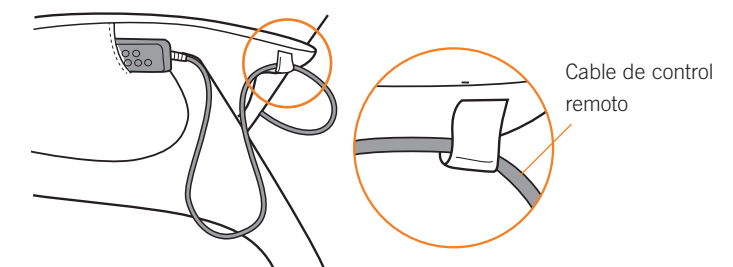
4. Conecte los cables.

Conecte cada uno de los dos cables de la base de la silla a sus conectores correspondientes en el espaldar.



5. Asegurar el cable de control remoto

Pase el cable de control remoto a través de la guía del cable, para evitar que se enrede cuando la silla se reclina / pendientes.



tome asiento

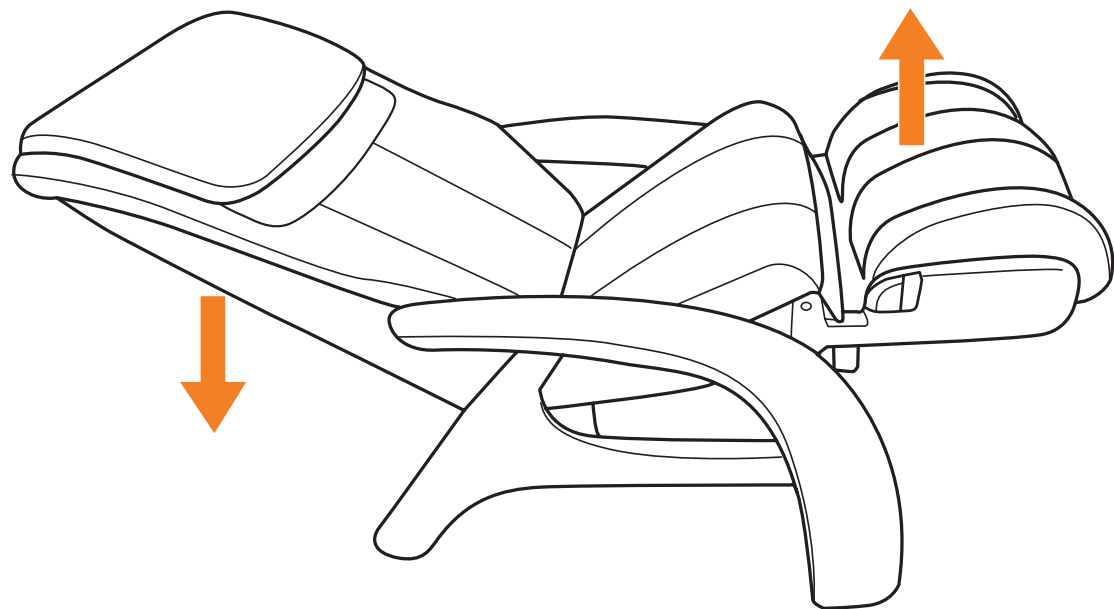
1. Encienda.

Conecte el cable de alimentación a una fuente de alimentación conectada a tierra. Encienda el interruptor principal (en la parte posterior de la silla), colocándolo en posición On.



2. Recline el espaldar y levante el apoyapiernas.

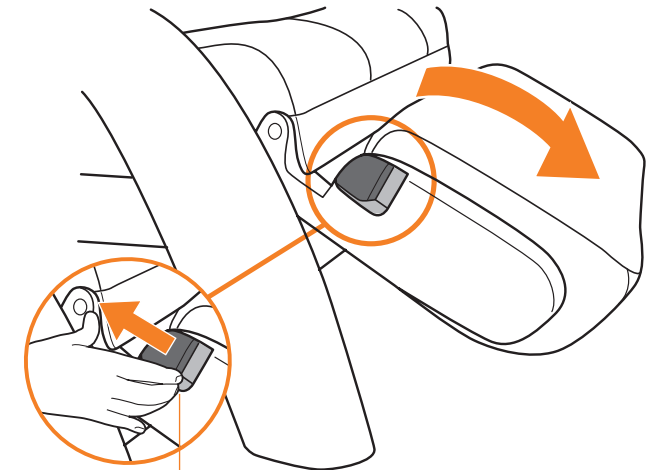
Utilice los botones back y legs del control remoto para ajustar la inclinación de la silla para máxima comodidad.



PARA UN MASAJE EN LOS PIES Y PANTORRILLAS

1. Abra el masajeador de pies y pantorrillas.

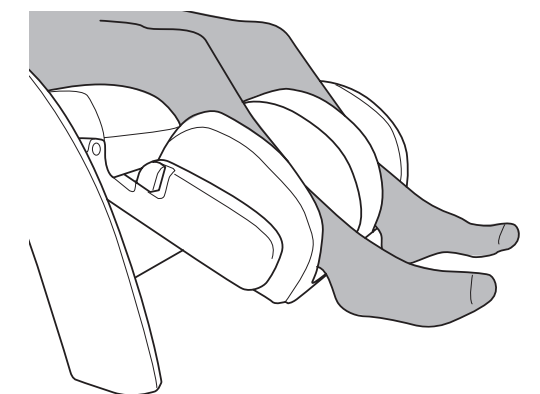
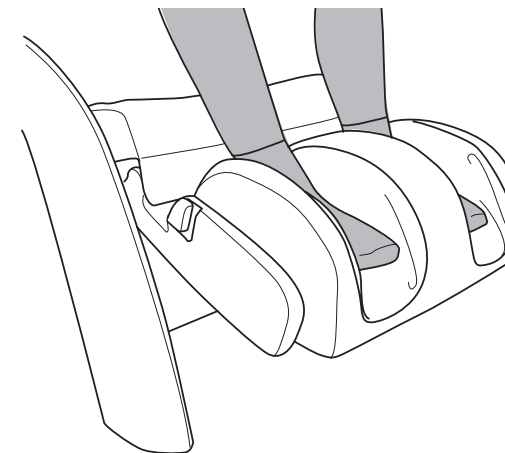
Mientras esté sentado en la silla, use el botón de piernas arriba en el control para desplegar el apoyapiés. Para utilizar el masajeador de pies y pantorrillas, hale el mango de liberación de la rotación del apoyapiés (ubicado a la derecha del apoyapiés) en dirección hacia usted y luego rote el apoyapiés hacia la silla hasta que haga clic y encaje en su posición con el masajeador de pantorrillas hacia arriba. No fuerce la rotación del apoyapiés más allá del punto en que se ajusta con un clic. Ejercer demasiada fuerza puede estropear el mecanismo.



Mango de liberación

! No se ponga de pie, ni se siente sobre el masajeador de pies y pantorrillas.

2. Introduzca los pies o las pantorrillas.



Para salir más fácilmente, coloque el apoyapiés y el espaldar en sus posiciones iniciales antes de levantarse de la silla.

! No impida el movimiento automático de reclinación e inclinación del espaldar o el apoyapiés. No intente reclinar o inclinar el espaldar o el apoyapiés manualmente. Si se interfiere con el movimiento automático de reclinación, la silla se dañará de manera permanente.

¡Usar la silla de masaje Human Touch es fácil! Solo siéntese y recline la silla a la posición deseada. La silla de masaje Human Touch le ayuda a sentirse mejor, mediante el posicionamiento en gravedad cero y una variedad de técnicas de masaje que usted controla. Es la forma perfecta de relajarse y refrescarse.

tome el control

Power (Encendido) — Se enciende para indicar que el interruptor de alimentación principal está activo.

Stop/Park (Detener/Estacionar)
Regresa el mecanismo de masaje a la posición inicial en la parte inferior del espaldar y luego se detiene.

Full Back / Upper Back / Lower Back (Toda la espalda / Parte superior de la espalda / Espalda baja)

Tres programas automáticos de masaje únicos le masajean durante 15 minutos cada uno, con una variedad de modos de masaje. Las luces indicadoras LED correspondientes se encienden para indicar cuál modo de masaje se está usando actualmente.

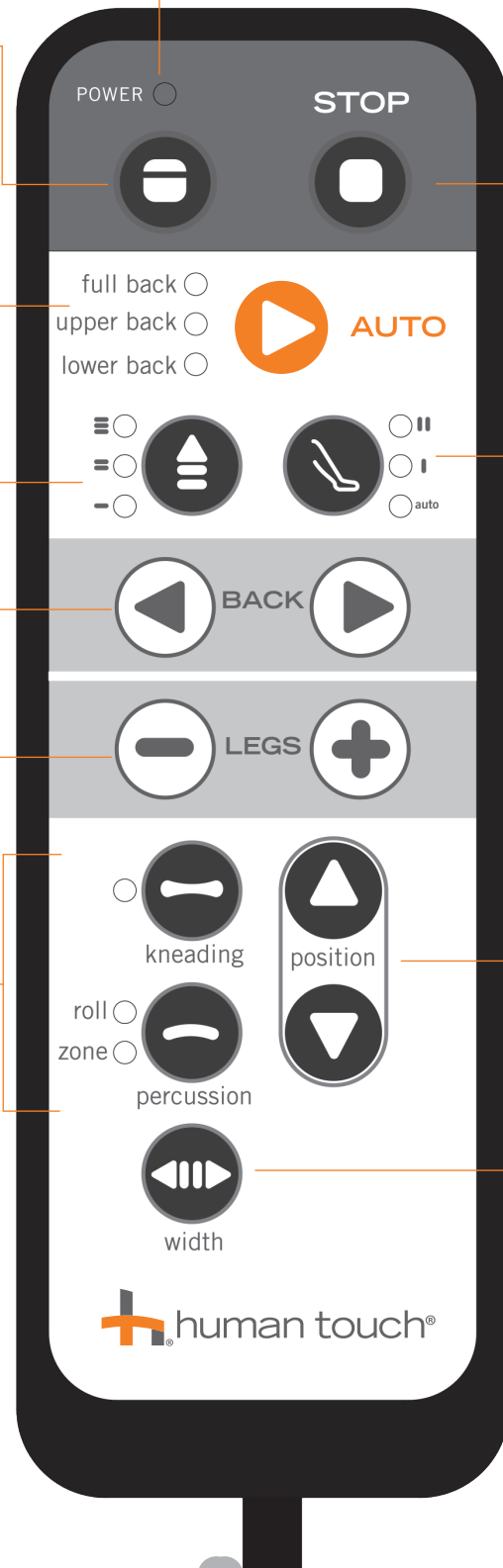
Alcance — Personaliza el alcance de su masaje vertical.

Power Recline — Presione y manténgalo presionado para reclinar/inclinar el espaldar.

Power Footrest Deploy
Controla el ángulo del apoyapiés, para una inclinación y masaje cómodos.

Beneficios musculares focalizados
Tres modos de masaje le permiten personalizar el masaje. (Consulte la página 37)

Presione el botón de percusión para alternar el masaje de percusión entre Ondulación (hacia arriba y hacia abajo por la espalda), y Zona (que enfoca el masaje en un área de seis pulgadas).



Stop (Detener) — Detiene el masaje.

Pie/Pantorrilla — Presione para alternar entre dos velocidades fijas y un programa de masaje automático.

Position (Posición) — Use este botón en combinación con los modos de masaje de percusión/zona para llevar el cabezal de masaje a la posición deseada en el espaldar.




Width (Amplitud) — Enfocar o dispersar presión.

human touch

○ Cuando no use el control remoto, manténgalo en su bolsillo conveniente ubicado a la izquierda de la silla, para tenerlo a mano.

Ahora escoja una técnica de masaje. La silla de masaje Human Touch le permite personalizar su masaje con una variedad de modos de masaje. Utilice el botón Range (Alcance) para personalizar el alcance de su masaje vertical, o los botones Position (Posición) para asignar el masaje a un área específica. También puede dejar que la silla tome el control: escoja uno de los tres programas de masaje automático que enfocan su masaje en toda su espalda, la parte superior o inferior de su espalda. No importa cómo la utilice, la tecnología Human Touch ofrece máxima flexibilidad de masajes y refrescantes beneficios.

Modo de masaje

Modo de masaje	Lo que hace	Beneficios
AMASAMIENTO 	Masajea la espalda con un movimiento circular pequeño a ambos lados de la columna vertebral simultáneamente.	Alivia la tensión y el dolor levantando y encogiendo los músculos. Mejora la circulación y ayuda a llevar los nutrientes vitales al área espinal.
PERCUSIÓN 	Alterna golpes ligeros rápidos a lo largo de la columna vertebral para estimular los músculos y las articulaciones del área espinal mediante la emulación de la técnica masajeadora de percusión que se utiliza en medicina deportiva para la terapia muscular profunda.	Flexiona las articulaciones de la columna y alivia la presión de la columna, con lo cual se vigoriza toda el área de la espalda.
ONDULACIÓN 	Ondula suavemente la espalda hacia arriba y hacia abajo cerca de la columna vertebral.	Calienta y afloja los músculos y prepara la espalda para un masaje más profundo. Alivia la tensión muscular, mejora la circulación y relaja la espalda.

FlexGlide® Tecnología de masaje orbital en espera de patente.



Relajante, sensible y notablemente lujoso, nuestra nueva solución de masaje **FlexGlide®** proporciona una experiencia de reducción de estrés totalmente novedosa. Sin los pinzamientos y fricciones asociados a las típicas sillas de masaje, todo el contorno de su cuerpo se beneficia terapéuticamente de la flexibilidad y el deslizamiento continuo sin igual de nuestra tecnología orbital FlexGlide® en espera de patente. Al igual que una masajista que le hace experimentar el cambio del masaje seco a uno cálido con aceites, la experiencia FlexGlide® lo mantendrá disfrutando de la máxima relajación.

cuidado y mantenimiento

Para mantener su producto en funcionamiento y luciendo bien, siga estos pasos simples para su cuidado.

ADVERTENCIA:

1. Asegúrese de desconectar el cable de alimentación del tomacorriente antes de limpiar la silla.
2. Cuando limpie el control o el interruptor de alimentación, utilice solamente un paño seco. Nunca utilice un paño húmedo para limpiar el control ni el interruptor de alimentación.
3. Asegúrese de probar las soluciones limpiadoras en una superficie pequeña no visible del producto para garantizar que el color no se desvanezca antes de usar la solución en toda la superficie del producto.
4. No utilice benceno ni disolventes en su producto.

Estándar de código de limpieza: W

Para mantener su producto Human Touch en óptimas condiciones, limpie el polvo de la silla frecuentemente y/o con una aspiradora de cepillo suave. Los productos SofSuede® también se pueden cepillar con un cepillo para gamuza. Si su producto se ensucia, use solo un limpiador de tapicería a base de agua. Para tratar las manchas, limpie el área manchada con un champú para tapicería o una espuma detergente suave.

Mantenimiento y reparación:

1. La mecánica de este producto está especialmente diseñada y construida para no requerir mantenimiento. No se requiere servicio ni lubricación periódicamente.
2. La silla sólo debe recibir servicio por parte de un centro de servicio autorizado.

Almacenamiento:

1. Cuando no se utilice por un largo período, recomendamos cubrir la silla, enrollar el cable de alimentación y colocar la unidad en un lugar libre de polvo y humedad.
2. No lo conserve cerca del calor, ni de las llamas.
3. No deje este producto expuesto a la luz solar directa por largos períodos de tiempo. Ello puede causar decoloración o daños.
4. No utilice o almacene el producto a temperaturas extremas; si el producto se almacena a bajas temperaturas, puede ser necesario que el producto esté a temperatura ambiente por 48 horas para que funcione correctamente.
5. El producto se debe utilizar y almacenar en un ambiente sin condensación de humedad que oscile entre un 10 y un 80%. La humedad excesiva dañará la mecánica del producto.

Especificaciones*

Voltaje de operación:	CA 110-120 V, 60 Hz
Consumo de energía:	0,8 A
Tamaño de la silla (reclinada):	163 cm La x 71 cm An x 84 cm Al
Peso del producto:	40,3 kg
Espacio necesario para reclinarla:	30,5 cm
Peso máximo de carga:	129 kg

**Las especificaciones quedan sujetas a cambio sin previo aviso.*

Registre su producto **EN LÍNEA** hoy

www.humantouch.com/register